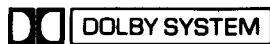


Service Manual

Cassette Deck
RS-M04
 (Silver Face)

Concise Metal Tape-Compatible Cassette Deck
 with 2-Color FL Meters and Automatic Tape Select



This is the Service Manual for the following areas.

- ☐ For all European areas
 except United Kingdom.
 ☒ For United Kingdom.

RS-M24 MECHANISM SERIES

Specifications

Track system:	4-track 2-channel stereo recording and playback	Inputs:	MIC; sensitivity 0.25 mV, input impedance 10 k Ω applicable microphone impedance 400 Ω —10 k Ω
Tape speed:	4.8 cm/s		LINE; sensitivity 60 mV, input impedance 70 k Ω
Wow and flutter:	0.05% (WRMS), $\pm 0.14\%$ (DIN)	Outputs:	LINE; output level 700 mV, output impedance 1.5 k Ω or less load impedance 22 k Ω over
Frequency response: Metal tape;	20—18,000 Hz 30—17,000 Hz (DIN) 30—16,000 Hz ± 3 dB		HEADPHONE; output level 125 mV, load impedance 8 Ω
CrO ₂ /Fe-Cr tape;	20—18,000 Hz 30—16,000 Hz (DIN) 30—16,000 Hz ± 3 dB	Bias frequency:	75 kHz
Normal tape;	20—17,000 Hz 30—15,000 Hz (DIN) 30—14,000 Hz ± 3 dB	Motor:	Electrical DC governor motor
Signal-to-noise ratio: Dolby NR in; 67 dB (above 5 kHz)		Heads:	2-head system 1-MX head for record/playback 1-sendust/ferrite double-gap head for erasure
Dolby NR out; 57 dB (signal level = max. recording level, Fe-Cr/CrO ₂ type tape)		Power requirement:	AC 110/125/220/240 V, 50-60 Hz
Fast forward and rewind time: Approx. 95 seconds with C-60 cassette tape		Power consumption:	14 W
		Dimensions:	29.7 cm(W) \times 12.2 cm(H) \times 23.2 cm(D)
		Weight:	4.1 kg

Specifications are subject to change without notice.

* 'Dolby' and the double-D symbol are trademarks of Dolby Laboratories.

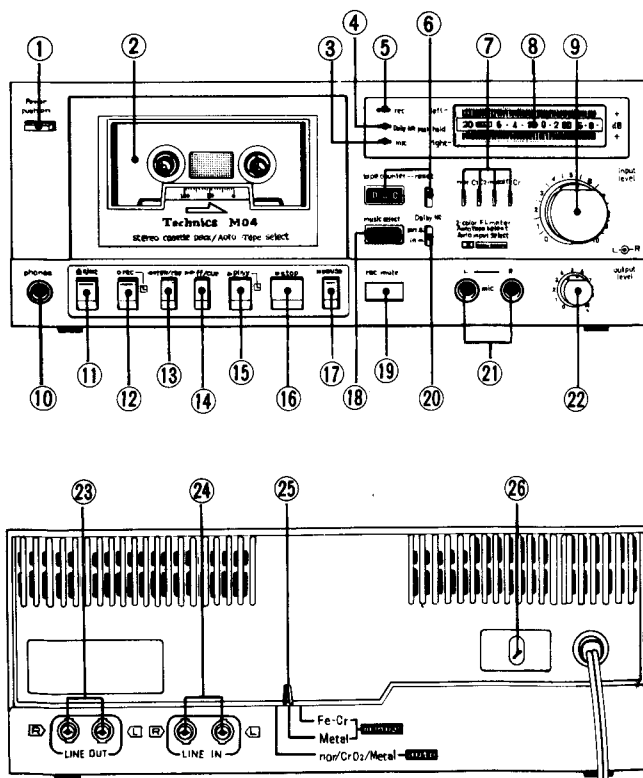
Technics

Matsushita Electric Trading Co., Ltd.
 P.O. Box 288, Central Osaka Japan

CONTENTS

ITEM	PAGE
LOCATION OF CONTROLS AND COMPONENTS	1
DISASSEMBLY INSTRUCTIONS	2
DISASSEMBLY NOTES (MECHANISM UNIT)	3
ASSEMBLY INSTRUCTIONS	3
CIRCUIT BOARDS AND ADJUSTMENT PARTS LOCATION	6
MEASUREMENT AND ADJUSTMENT METHODS	7
ELECTRICAL PARTS LOCATION	12
SCHEMATIC DIAGRAM	13
CIRCUIT BOARDS	14
WIRING CONNECTION DIAGRAM	15
EXPLODED VIEWS	15
MECHANICAL PARTS LOCATION	16
CABINET PARTS	17

LOCATION OF CONTROLS AND COMPONENTS



- ① Power switch (power)
- ② Cassette holder
- ③ Microphone indicator (mic)
- ④ Dolby noise reduction indicator (Dolby NR)
- ⑤ Recording indicator (rec)
- ⑥ Tape counter and Reset button (tape counter reset)
- ⑦ Tape selector indicators (nor/CrO₂/Metal/Fe-Cr)
- ⑧ FL (fluorescent level) meters
- ⑨ Input level controls (input level) (L ↔ R)
- ⑩ Headphones jack (phones)
- ⑪ Eject button (▲ eject)
- ⑫ Record button (○ rec)
- ⑬ Rewind/Review button (◀◀ rew/rev)
- ⑭ Fast forward/Cue button (▶▶ ff/cue)
- ⑮ Play button (▶ play)
- ⑯ Stop button (■ stop)
- ⑰ Pause button (|| pause)
- ⑱ Tune selector (music select)
- ⑲ Record-muting button (rec mute)
- ⑳ Dolby noise-reduction switch (Dolby NR)
- ㉑ Microphone jacks (L mic R)
- ㉒ Output level control (output level)
- ㉓ Line output jacks (LINE OUT) (R • L)
- ㉔ Line input jacks (LINE IN) (R • L)
- ㉕ Tape selector
(Fe-Cr/Metal/ manual nor/CrO₂/Metal/ auto)
- ㉖ Voltage selector (VOLTAGE SELECTOR)

Fig. 1

DISASSEMBLY INSTRUCTIONS

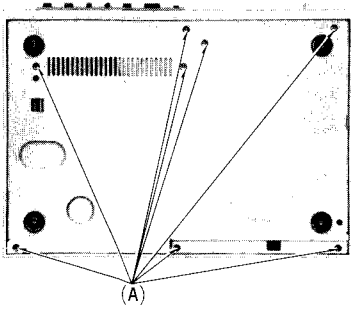


Fig. 2

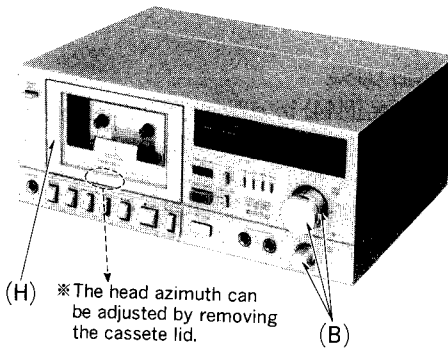


Fig. 3

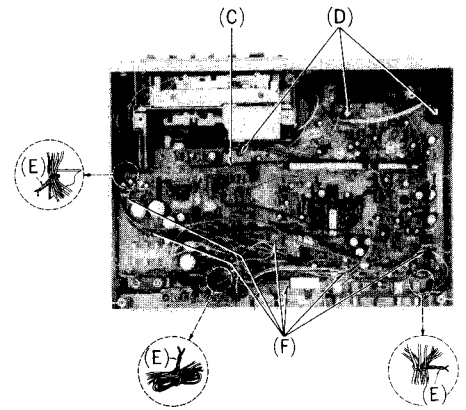


Fig. 4

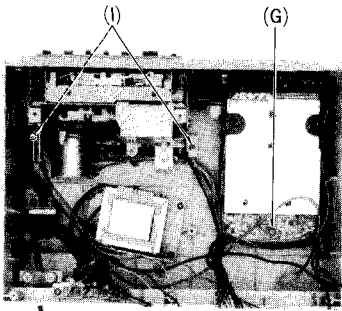


Fig. 5

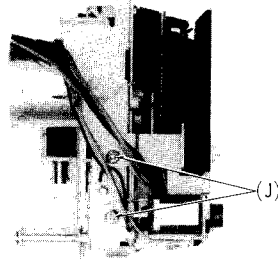


Fig. 6

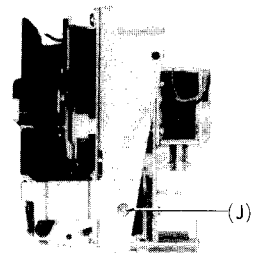


Fig. 7

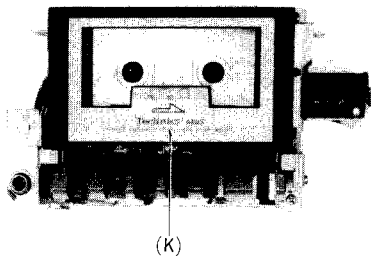


Fig. 8

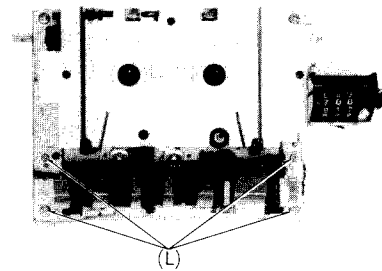


Fig. 9

Procedure	To remove — .	Remove — .	Shown in fig. — .
1	Bottom cover	• 8 screws(A)	2
2	Main circuit board	• 3 control knobs(B)	3
		• Recording wire(C)	4
		• 3 screws(D)	4
		• 3 binders(E)	4
		• 6 connectors(F)	4
3	FL meter circuit board	• 1 screw(G)	5
3	Mechanism unit	• Cassette lid(H)	3
		• 2 screws(I)	5
5	Operation button assembly	• 3 screws(J)	6, 7
		• Cassette holder(K)	8
		• 4 screws(L)	9

DISASSEMBLY NOTES (MECHANISM UNIT)

• Precautions for removal of the motor

When removing the motor, follow the procedure given below.

1. Remove screw (A), and then detach flywheel retainer (M44) by pulling it in the direction of the arrow as in fig. 10.
2. After removing screws (B), detach takeup belt (M78) and capstan belt (M76), and then sub chassis assembly (M72) can be removed. (fig. 10) (fig. 11)
3. When screws (C) is removed after detaching fast forward belt (M77), motor assembly (M71) can be removed.

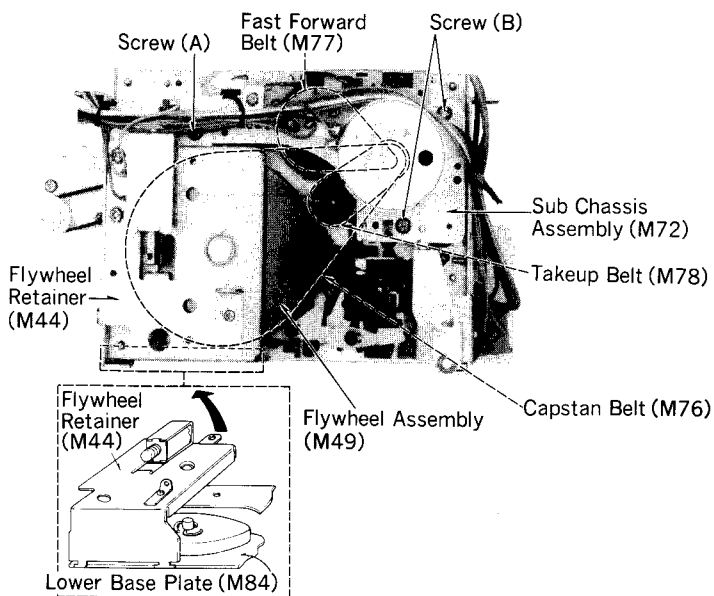


Fig. 10

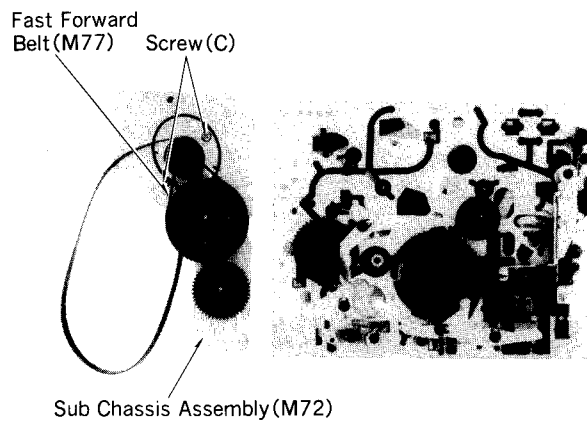


Fig. 11

• Mechanism section

1. For repair, measurement or adjustment with the mechanism removed from the unit be sure to ground the lower base plate of the mechanism.
2. For grounding, connect a extension cord to the mechanism's lower base plate and the lug terminal from the main circuit board.
3. Without grounding, the amplifier does not operate properly.

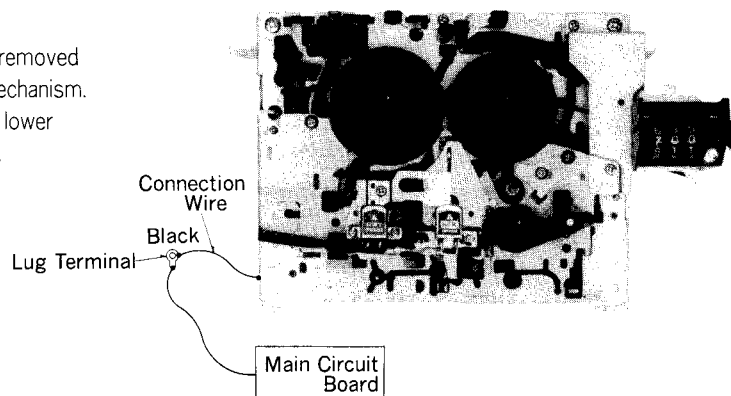


Fig. 12

ASSEMBLY INSTRUCTIONS

• Belt mounting

Check that each belt is free of damage or grease on the surface, after that, set the belt as illustrated, and mount it on the lower base plate (M87) after that, set the takeup belt (M78) on the fast forward connection pulley assembly (M82).

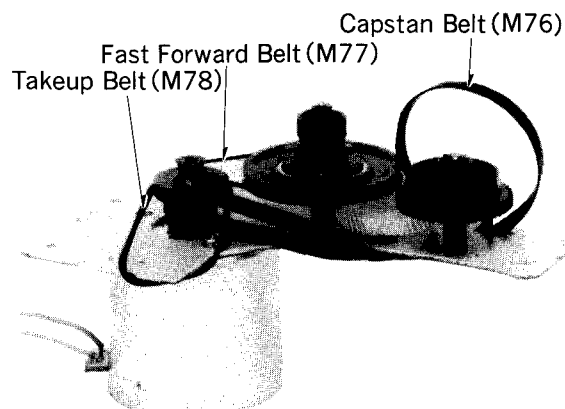


Fig. 13

• Positioning the takeup reel table assembly

When installing the takeup reel table assembly, be sure to mount the auto-stop friction hub (shown in fig. 15), as illustrated in fig. 14. If the takeup reel table is positioned incorrectly at any place other than that shown in fig. 14, the auto-stop mechanism remains operative at all times.

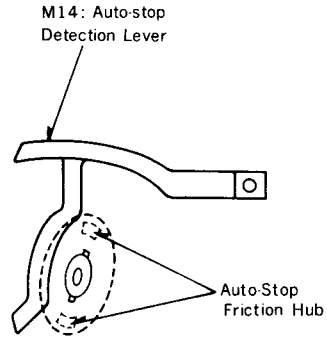


Fig. 14

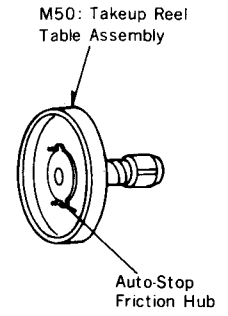


Fig. 15

• How to install the flywheel retainer

1. Insert the thrust retainer into the hole (A) of the flywheel retainer as shown in fig. 16.
2. Hold the thrust retainer with the thumb as shown in fig. 17.
3. Engage the parts (B) and (C) of the flywheel retainer with the lower base plate as shown in fig. 18.
4. Shift down the flywheel retainer, supported at points (D), in the direction of the arrow as illustrated fig. 19.
5. Attach the screw (A) in the position as shown in fig. 10.

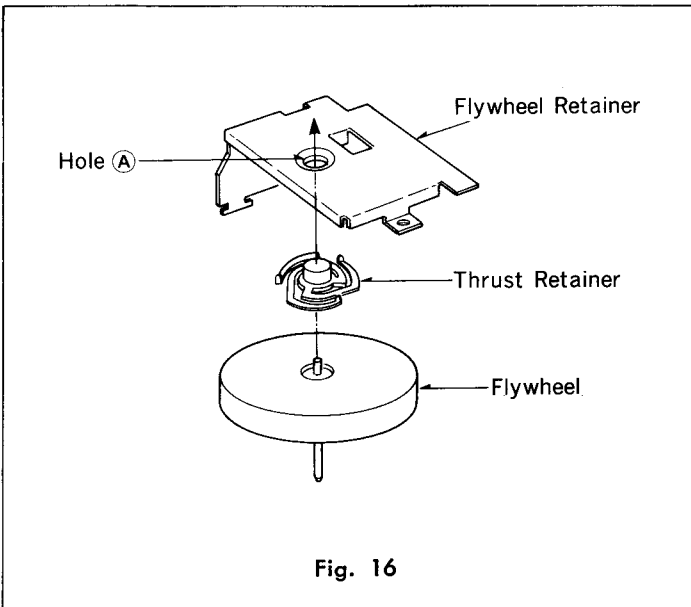


Fig. 16

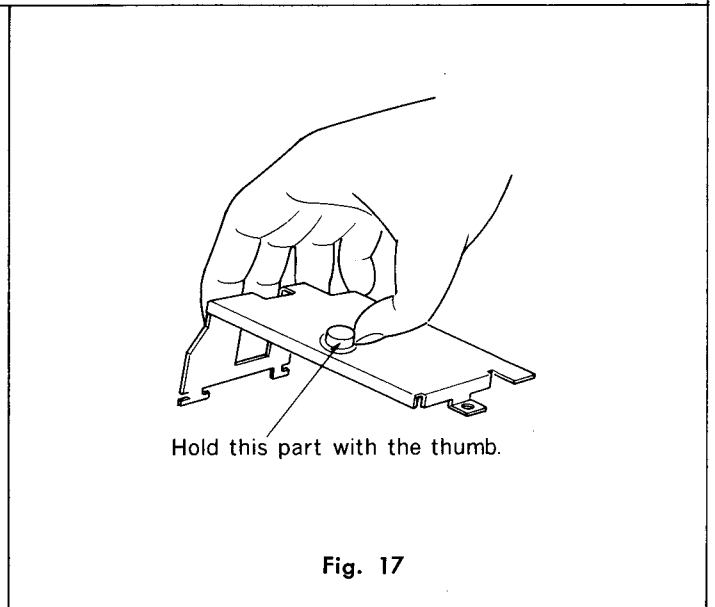


Fig. 17

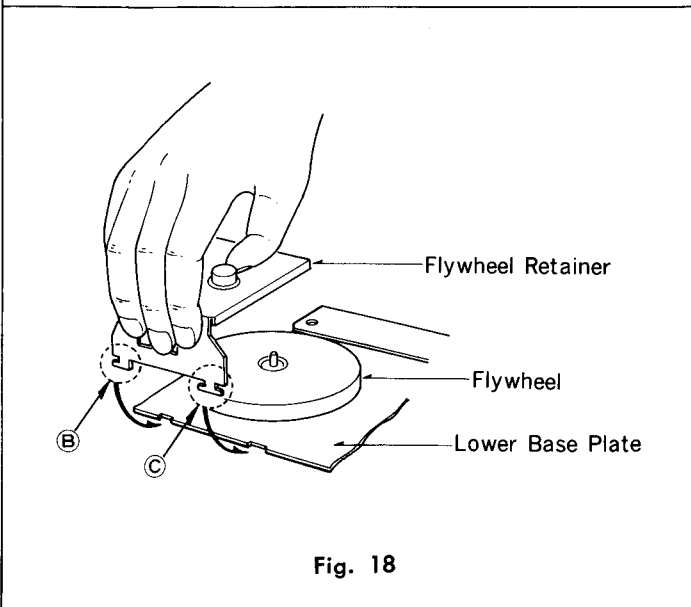


Fig. 18

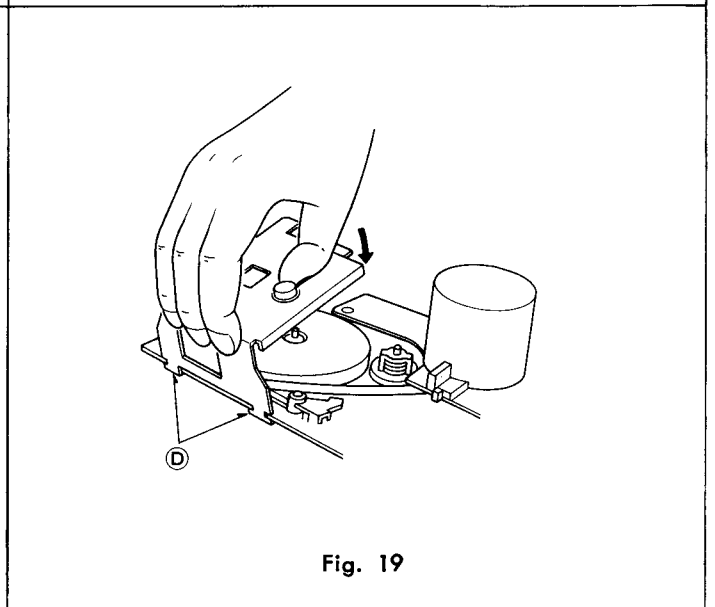


Fig. 19

• Mounting the operation button assembly

1. Before mounting the operation button assembly on the mechanism body, be sure to lift the main control lever in the direction of the arrow using a screwdriver, as shown in fig. 20, until it locks in place. If it is not mounted in this manner, the hub of the playback button assembly during playback catches on the main control lever, making it impossible to release playback mode.
2. Check to be sure that the boss of the lock arm and auto stop connection rod are in the correct position, as shown in fig. 20.

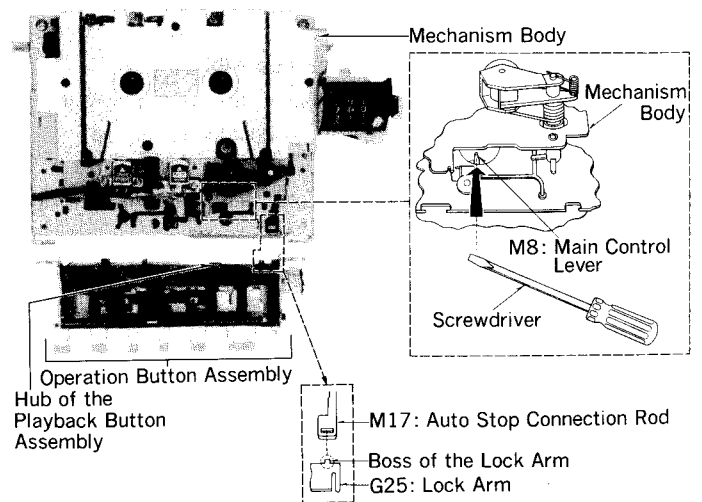


Fig. 20

• Precautions for installation of main circuit board

The main circuit board can be easily installed onto the main case assembly according to the following procedure.

1. Insert the main circuit board in the direction of the arrow (A) (✓). In this case, the switch button and music select button located on the main circuit board must be in the positions as shown in fig. 21.
2. Insert the main circuit board in the direction of the arrow (B) (↘). In this case, the switch button and music select button must be projected from the holes in the main case top as shown in fig. 22.

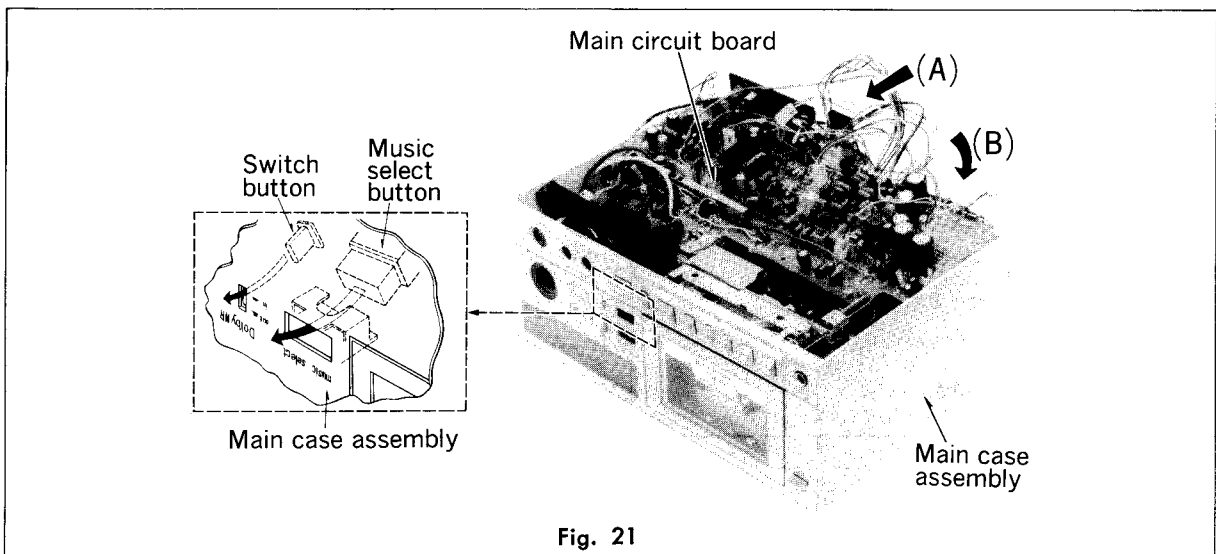


Fig. 21

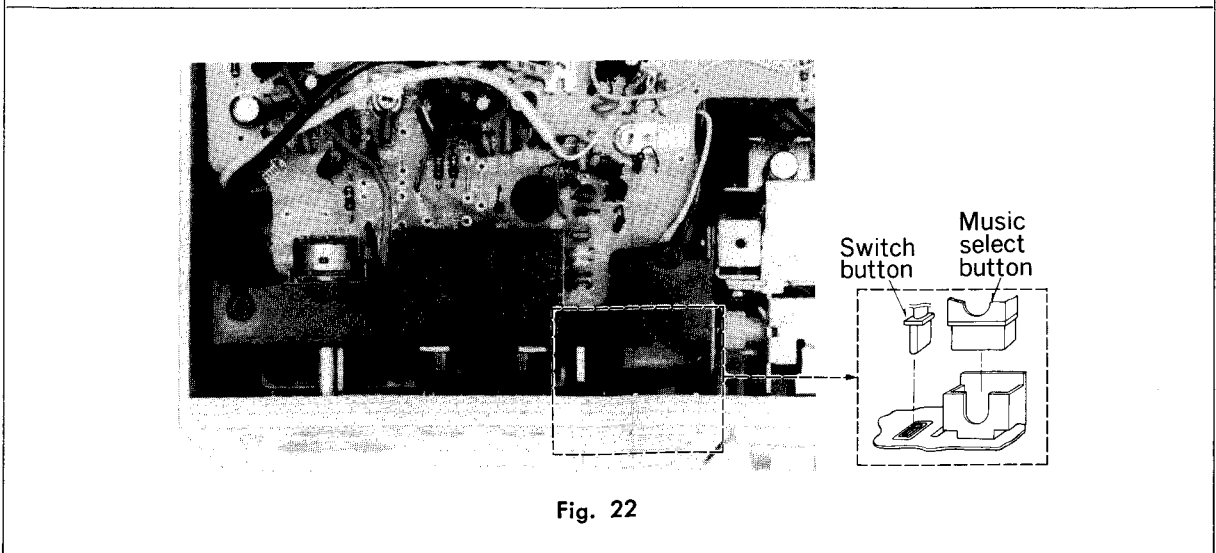
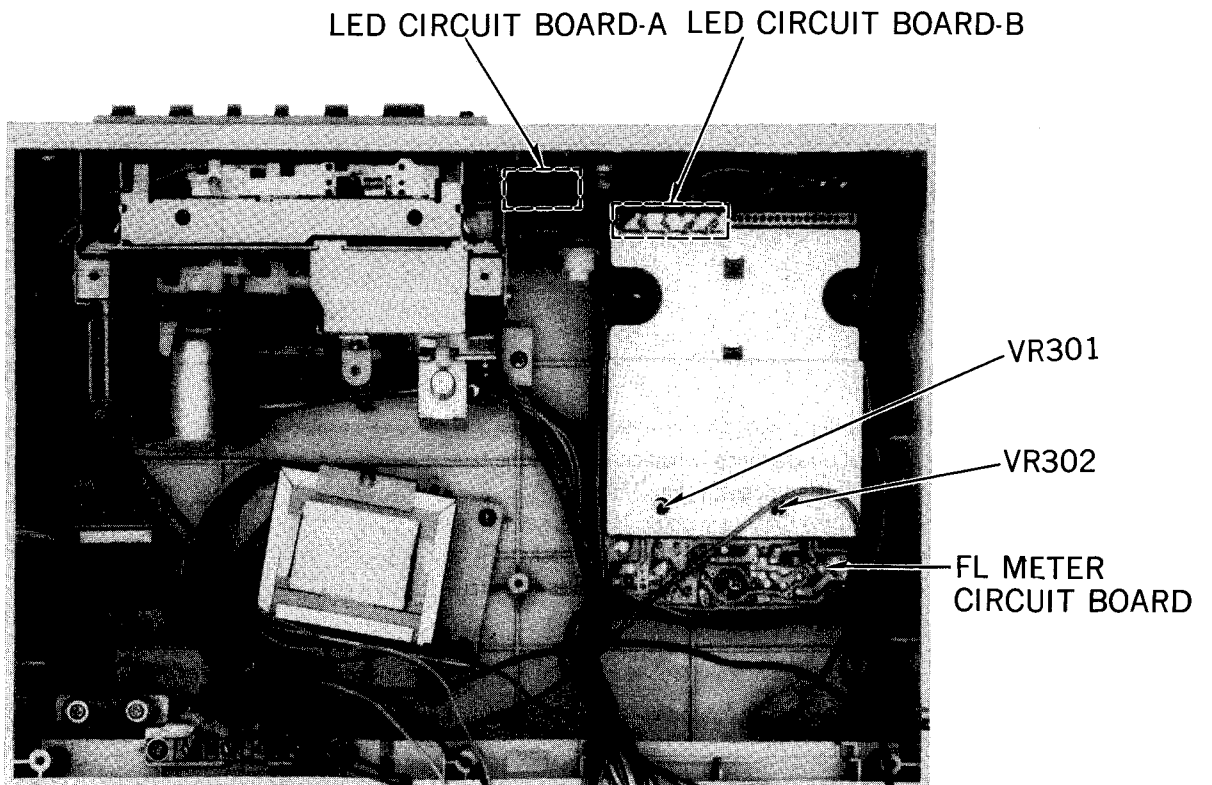
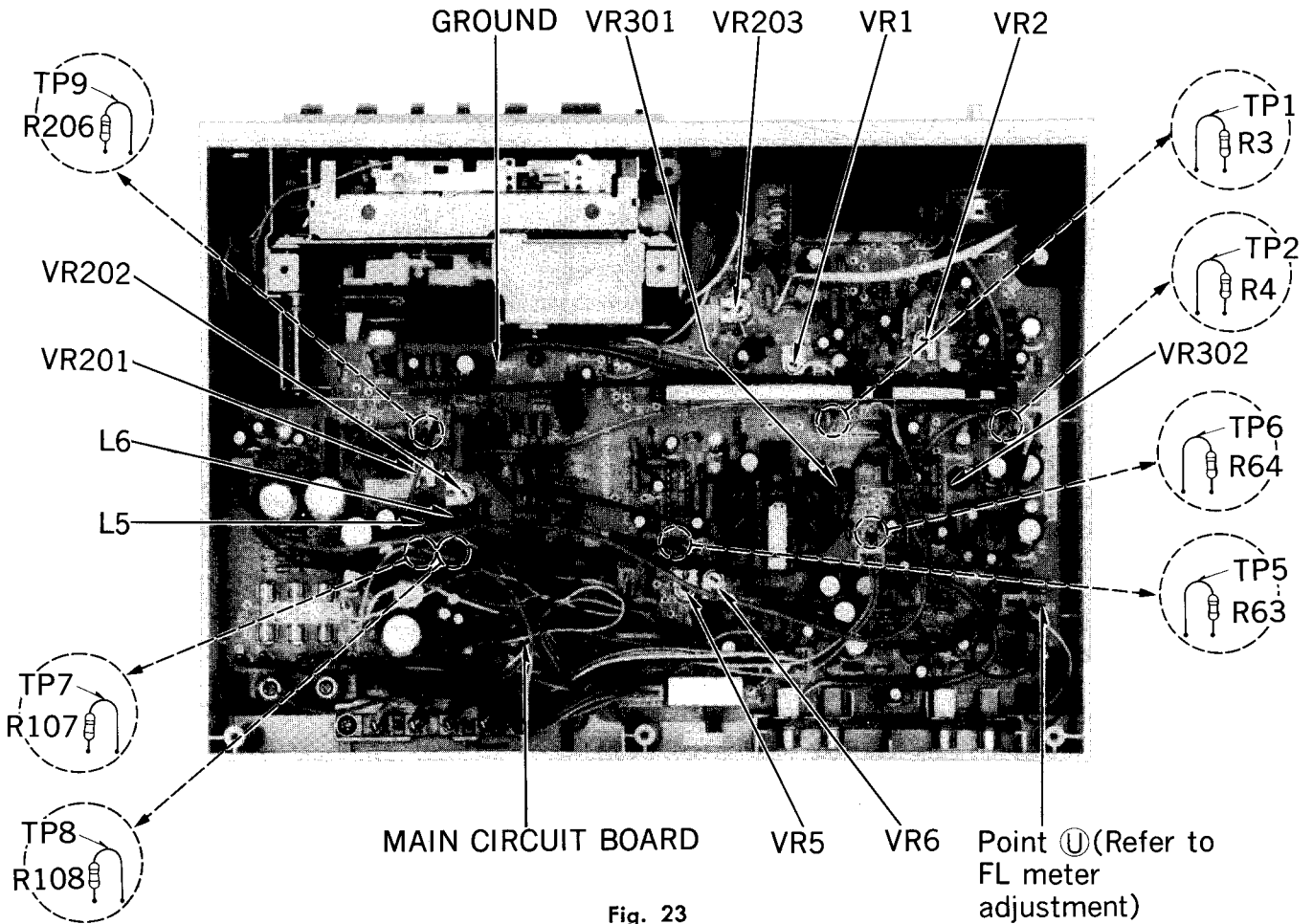


Fig. 22

CIRCUIT BOARDS AND ADJUSTMENT PARTS LOCATION



MEASUREMENT AND ADJUSTMENT METHODS

NOTE 1:

Tape speed can be adjusted through the small hole on the back-side of main case by the ⊖ screw driver (non metal type) as shown in the diagram below.

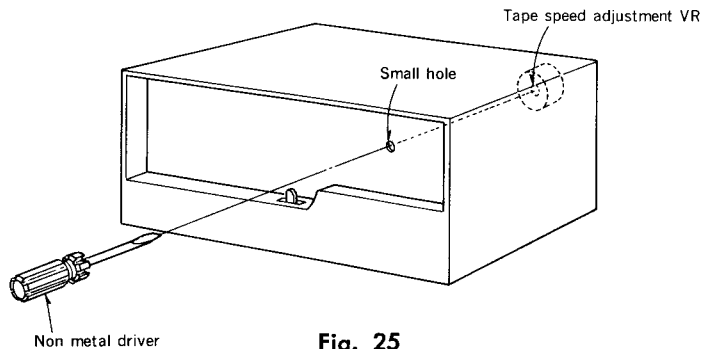


Fig. 25

NOTES2: Tape selector

This unit employs an auto tape select mechanism. This mechanism, as shown in fig. 26, automatically selects the circuits for metal/CrO₂/normal modes by using the tape detection holes provided above the cassette tape half.

However, another type of test tape is not provided with these tape detection holes. Therefore, when it is necessary to change over the electric circuit to metal/CrO₂/normal/Fe-Cr mode for the measurement and adjustment, take the following measures according to the types of the test tapes.

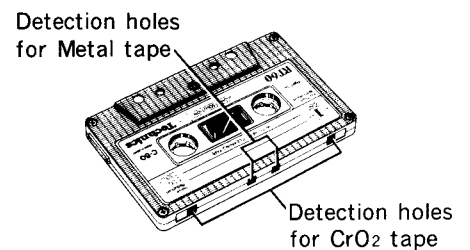


Fig. 26

ⓄSetting it to the metal tape mode:

- When the tape used is provided with metal tape mode detection hole, set the tape selector located at the back of the set to auto position (fig. 27).
- When the tape used is not provided with the metal tape detection hole, set the tape selector to metal position (fig. 28).

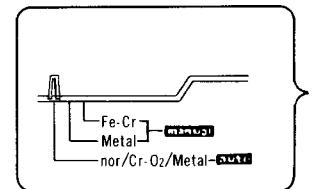


Fig. 27

ⓄSetting it to the normal tape mode:

- Set the tape selector located at the back of the set to auto position (fig. 27).

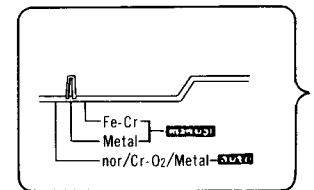


Fig. 28

ⓄSetting it to the Fe-Cr tape mode:

- Set the tape selector located at the back of the set to Fe-Cr-manual position (fig. 29).

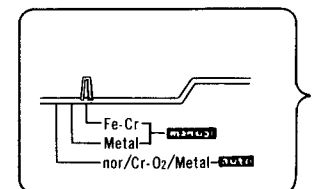


Fig. 29

ⓄSetting it to the CrO₂ tape mode:

- When the tape used is provided with CrO₂ tape mode detection hole, set the tape selector located at the back of the set to auto position (fig. 27).
- When the tape used is not provided with the CrO₂ tape detection hole, set the tape selector to auto position and, as shown in fig. 27, pull out the 6 pin socket-ⓧ, and short-circuit the terminal of the 6 pin post-ⓧ as shown in fig. 30, then the circuit is set to CrO₂ mode.

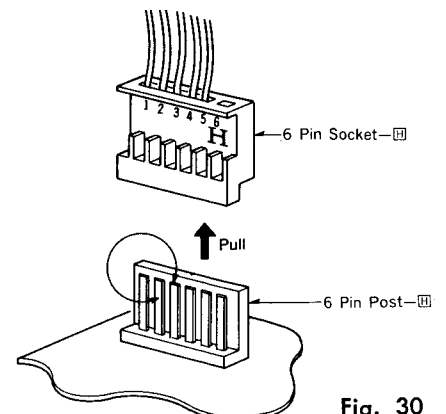
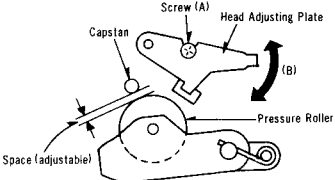
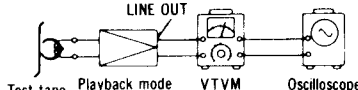

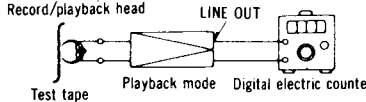


Fig. 30

NOTES 3: Keep good condition, set lever switches and controls in the following positions, unless otherwise specified.

- Make sure heads are clean.
- Make sure capstan and pressure roller are clean.
- Judgeable room temperature: $20 \pm 5^{\circ}\text{C}$ ($68 \pm 9^{\circ}\text{F}$)
- Dolby NR switch: OUT
- Tape selector: Auto position
- Input level controls: Maximum
- Output level control: Maximum

ITEM	MEASUREMENT & ADJUSTMENT
<p>A Head position adjustment</p> <p>Condition:</p> <ul style="list-style-type: none"> * Playback and pause mode 	<p>(The head adjusting plate is provided to adjust the tape touch of the head in cue or review mode).</p> <ol style="list-style-type: none"> 1. Press the playback button and pause button. 2. Measure the space between the pinch roller and the capstan. <div style="border: 1px solid black; padding: 5px; width: fit-content; margin: 10px auto;"> <p>Standard value: 0.5 ± 0.3 mm</p> </div> <ol style="list-style-type: none"> 3. If the measured value is not within the standard value, untighten screw (A), and slide the head adjusting plate in the direction of arrow (B) for adjustment.  <p style="text-align: center;">Fig. 31</p>
<p>B Head azimuth adjustment</p> <p>Condition:</p> <ul style="list-style-type: none"> * Playback mode * Normal tape mode <p>Equipment:</p> <ul style="list-style-type: none"> * VTVM * Oscilloscope * Test tape (azimuth) ... QZZCFM 	<ol style="list-style-type: none"> 1. Test equipment connection is shown in fig. 32. 2. Playback azimuth tape (QZZCFM 8 kHz). 3. Adjust record/playback head angle adjustment screw (B) in fig. 33 so that output level at LINE OUT becomes maximum. 4. Measure both channels, and adjust levels for equal output. 5. After adjustment lock head adjustment screw with lacquer.  <p style="text-align: center;">Fig. 32</p>  <p style="text-align: center;">Fig. 33</p>
<p>C Tape speed</p> <p>Condition:</p> <ul style="list-style-type: none"> * Playback mode * Normal tape mode <p>Equipment:</p> <ul style="list-style-type: none"> * Digital electronic counter or frequency counter * Test tape ... QZZCWAT 	<p>Tape speed accuracy</p> <ol style="list-style-type: none"> 1. Test equipment connection is shown in fig. 34. 2. Playback test tape (QZZCWAT 3,000 Hz), and supply playback signal to frequency counter. 3. Measure this frequency. 4. On the basis of 3,000 Hz, determine value by following formula: $\text{Tape speed accuracy} = \frac{f - 3,000}{3,000} \times 100 (\%) \quad \text{where, } f = \text{measured value}$ <ol style="list-style-type: none"> 5. Take measurement at middle section of tape. <div style="border: 1px solid black; padding: 5px; width: fit-content; margin: 10px auto;"> <p>Standard value: $\pm 1.5\%$</p> </div> <p>Adjustment method</p> <ol style="list-style-type: none"> 1. Playback the test tape (middle). 2. Adjust so that frequency becomes 3,000 Hz. 3. Tape speed adjustment VR shown in fig. 25. <p>Tape speed fluctuation</p> <p>Make measurements in same manner as above (beginning, middle and end of tape), and determine the difference between maximum and minimum values and calculate as follows:</p> $\text{Tape speed fluctuation} = \frac{f_1 - f_2}{3,000} \times 100 (\%) \quad f_1 = \text{maximum value, } f_2 = \text{minimum value}$ <div style="border: 1px solid black; padding: 5px; width: fit-content; margin: 10px auto;"> <p>Standard value: 1%</p> </div>  <p style="text-align: center;">Fig. 34</p>

ITEM	MEASUREMENT & ADJUSTMENT
<p>D Playback frequency response</p> <p>Condition:</p> <ul style="list-style-type: none"> * Playback mode * Normal tape mode * Output level control ... MAX <p>Equipment:</p> <ul style="list-style-type: none"> * VTVM * Oscilloscope * Test tape ... QZZCFM 	<ol style="list-style-type: none"> 1. Test equipment connection is shown in fig. 32. 2. Place UNIT into playback mode. 3. Playback the frequency response test tape (QZZCFM). 4. Measure output level at 315 Hz, 12.5 kHz, 8 kHz, 4 kHz, 1 kHz, 250 Hz, 125 Hz and 63 Hz and compare each output level with the standard frequency 315 Hz, at LINE OUT. 5. Make measurement for both channels. 6. Make sure that the measured value is within the range specified in the frequency response chart. <div data-bbox="970 376 1485 663" style="text-align: center;"> <p>Playback frequency response chart</p> </div> <p style="text-align: center;">Fig. 35</p>
<p>E Playback gain</p> <p>Condition:</p> <ul style="list-style-type: none"> * Playback mode * Normal tape mode * Output level control ... MAX <p>Equipment:</p> <ul style="list-style-type: none"> * VTVM * Oscilloscope * Test tape ... QZZCFM 	<ol style="list-style-type: none"> 1. Test equipment connection is shown in fig. 32. 2. Playback standard recording level portion on test tape (QZZCFM 315 Hz), and using VTVM measure the output level at LINE OUT jack. 3. Make measurement for both channels. <div data-bbox="584 943 935 981" style="border: 1px solid black; padding: 5px; text-align: center;"> <p>Standard value: around 0.7V</p> </div> <p>Adjustment</p> <ol style="list-style-type: none"> 1. If measured value is not standard, adjust VR1 (L-CH), VR2 (R-CH) (See fig. 23). 2. After adjustment, check "Playback frequency response" again.
<p>F Bias leak</p> <p>Condition:</p> <ul style="list-style-type: none"> * Record mode * Metal tape mode <p>Equipment:</p> <ul style="list-style-type: none"> * VTVM * Oscilloscope 	<ol style="list-style-type: none"> 1. Test equipment connection is shown in fig. 36. 2. Place UNIT into record mode. 3. Adjust trap coil L5 (L-CH), L6 (R-CH) so that measured value on VTVM becomes minimum. 4. Take adjustment for both channels. <div data-bbox="1118 1211 1461 1429" style="text-align: center;"> </div> <p style="text-align: center;">Fig. 36</p>
<p>G Erase current</p> <p>Condition:</p> <ul style="list-style-type: none"> * Record mode * Metal tape mode <p>Equipment:</p> <ul style="list-style-type: none"> * VTVM * Oscilloscope 	<ol style="list-style-type: none"> 1. Test equipment connection is shown in fig. 37. 2. Place UNIT into record mode and measure voltage at test point 9. 3. Determine erase current with the following formula: <div data-bbox="628 1648 1139 1704" style="text-align: center;"> $\text{Erase current (A)} = \frac{\text{Voltage across both ends of R206}}{1 (\Omega)}$ </div> <div data-bbox="584 1720 1158 1765" style="border: 1px solid black; padding: 5px; text-align: center;"> <p>Standard value: 95 ± 5 mA (Tape selector ... Metal)</p> </div> <ol style="list-style-type: none"> 4. If measured value is not within standard, adjust VR203. <div data-bbox="1166 1581 1485 1715" style="text-align: center;"> </div> <p style="text-align: center;">Fig. 37</p>

ITEM	MEASUREMENT & ADJUSTMENT
<p>⊕ Overall frequency response</p> <p>Condition:</p> <ul style="list-style-type: none"> * Record/playback mode * Normal tape mode * Fe-Cr tape mode * CrO₂ tape mode * Metal tape mode * Input level controls ... MAX * Output level control ... MAX * Standard input level MIC ... -72 ± 3.5 dB LINE IN ... -24 ± 3.5 dB <p>Equipment:</p> <ul style="list-style-type: none"> * VTVM * AF oscillator * ATT * Resistor (600Ω) * Test tape (reference blank tape) <ul style="list-style-type: none"> ... QZZCRA for Normal ... QZZCRX for CrO₂ ... QZZCRY for Fe-Cr ... QZZCRZ for Metal 	<p>Note:</p> <p>Before measuring and adjusting, make sure of the playback frequency response (For the method of measurement, please refer to the playback frequency response).</p> <ol style="list-style-type: none"> 1. Test equipment connection is shown in fig. 38. 2. Place the test tape (QZZCRA) in the cassette holder. 3. Set UNIT into record mode, and normal tape mode. 4. Supply 1 kHz signal from AF oscillator through ATT to LINE IN. 5. Adjust ATT so that input level is -20 dB below standard recording level (standard recording level = 0 VU). 6. At this time, LINE OUT level indicates 0.07 V. 7. Record each frequency 50 Hz, 70 Hz, 600 Hz, 1 kHz, 2 kHz, 8 kHz, 10 kHz, and 12 kHz (14 kHz for CrO₂, Fe-Cr and Metal). 8. Playback and express in dB the difference between playback output level of each frequency based on playback output level of 1 kHz. 9. Make sure that the measured value is within the range specified in the overall frequency response chart (shown in fig. 30). 10. Change test tape to Fe-Cr (QZZCRY), CrO₂ (QZZCRX) and Metal (QZZCRZ). 11. Set UNIT into each tape mode. 12. Measure as same as manner from step (3) to step (8). 13. Make sure that the measured value is within the range specified in the overall frequency response chart for Fe-Cr, CrO₂ and Metal tape shown in fig. 31. <p>Adjustment-using bias current</p> <ol style="list-style-type: none"> 1. When the frequency response between the middle and high frequency range becomes higher than the standard value, as shown by the solid line in fig. 41 increase, refer to bias current adjustment. 2. When it becomes lower, as shown by dotted line, refer to bias current adjustment. <p>Bias current adjustment</p> <ol style="list-style-type: none"> 1. Test equipment connection is shown in fig. 42. 2. Set UNIT into record mode, and normal tape mode. 3. Read voltage on VTVM and calculate bias current by following formula: $\text{Bias current (A)} = \frac{\text{Value read on VTVM (V)}}{10 (\Omega)}$ <div style="border: 1px solid black; padding: 5px; margin: 10px 0;"> <p>Standard value: around 350 μA (Normal tape mode)</p> </div> <ol style="list-style-type: none"> 4. If measured value is not within standard, adjust VR201 (L-CH) and VR202 (R-CH). 5. Set the tape selector to each position. 6. Make sure that the measured value is within standard. <div style="border: 1px solid black; padding: 5px; margin: 10px 0;"> <p>Standard value: around 370 μA (Fe-Cr tape mode) around 440 μA (CrO₂ tape mode) around 700 μA (Metal tape mode)</p> </div>

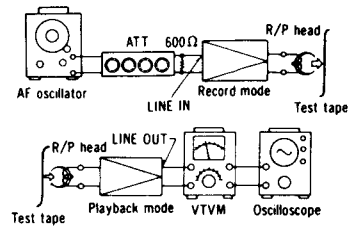


Fig. 38

Overall frequency response chart (Normal)

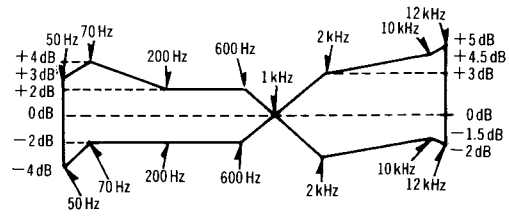


Fig. 39

Overall frequency response chart (Fe-Cr, CrO₂, Metal)

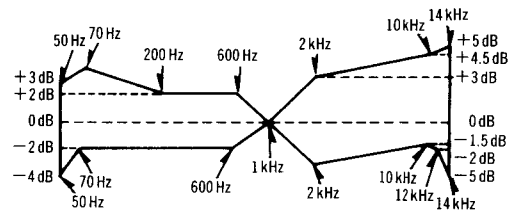


Fig. 40

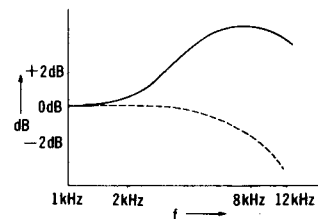


Fig. 41

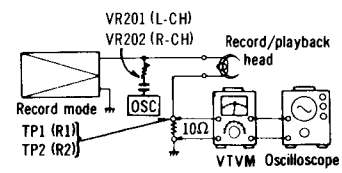


Fig. 42

ITEM	MEASUREMENT & ADJUSTMENT
<p>① Overall gain</p> <p>Condition:</p> <ul style="list-style-type: none"> * Record/playback mode * Normal tape mode * Input level controls MAX * Output level control ... MAX * Standard input level <ul style="list-style-type: none"> MIC -72 ± 3.5 dB LINE IN ... -24 ± 3.5 dB <p>Equipment:</p> <ul style="list-style-type: none"> * VTVM * AF oscillator * ATT * Oscilloscope * Resistor (600Ω) * Test tape (reference blank tape) <ul style="list-style-type: none"> ... QZZCRA for Normal 	<ol style="list-style-type: none"> 1. Test equipment connection is shown in fig. 38. 2. Place UNIT into record mode, and normal tape mode. 3. Supply 1 kHz signal (-24 dB) from AF oscillator, through ATT to LINE IN. 4. Adjust ATT until monitor level at LINE OUT becomes 0.7V. 5. Using test tape, make recording. 6. Playback recorded tape, and make sure the value at LINE OUT on VTVM becomes 0.7V. 7. If measured value is not 0.7V, adjust VR5 (L-CH), VR6 (R-CH) (See fig. 23). 8. Repeat from step 2.
<p>② Fluorescent meter</p> <p>Condition:</p> <ul style="list-style-type: none"> * Record mode * Input level controls MAX * Output level control ... MAX <p>Equipment:</p> <ul style="list-style-type: none"> * VTVM * AF oscillator * ATT * Resistor (600Ω) 	<ol style="list-style-type: none"> 1. Test equipment connection is shown in fig. 38. 2. As shown in fig. 43, connecting the base of Q302 (Point ①, see fig. 23 on page 6) and ground stops the oscillation of the astable multivibrator comprising Q302 and Q303. 3. Supply 1 kHz signal (-24 dB) to the LINE IN jack, then press the record button. 4. Adjust the ATT so that the output level at LINE OUT jack becomes 0.7V (The input level at this condition is termed the standard input level). 5. Adjustment at "-20 dB". <ol style="list-style-type: none"> A. Adjust the ATT so that input level is -20 dB below standard recording level. B. Adjust VR301 so that the -20 dB segment lights up in the -20 dB \pm 0.8 dB range (L-CH ONLY) (See fig. 44). 6. Adjustment at "0 dB". <ol style="list-style-type: none"> A. Adjust the ATT so that the output level at LINE OUT jack becomes 0.7V. (The input level at this condition is termed the standard input level.) B. Adjust VR302 so that the $+1$ dB segment lights up in the 0 ± 0.2 dB range of the standard input level (See fig. 45). 7. Repeat twice between steps 5 and 6 above. 8. Adjust ATT and check that all segments light up when an input signal level is increased to 10 dB higher than the standard input level (See fig. 46).
<p>⊗ Dolby NR circuit</p> <p>Condition:</p> <ul style="list-style-type: none"> * Record mode * Input level controls MAX <p>Equipment:</p> <ul style="list-style-type: none"> * VTVM * AF oscillator * ATT * Oscilloscope * Resistor (600Ω) 	<ol style="list-style-type: none"> 1. Place UNIT into record mode, set the Dolby NR switch to OUT position and supply to LINE IN to obtain -34.5 dB at TP5 (L-CH), TP6 (R-CH) (frequency 5 kHz). 2. Confirm that the value at IN position is $8 (\pm 2.5)$ dB greater than the value at OUT position of Dolby NR switch.

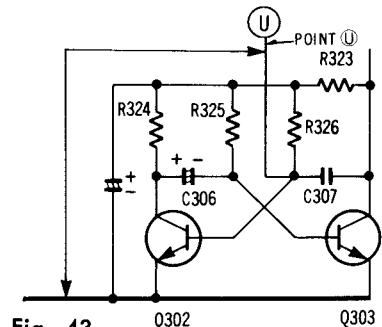


Fig. 43

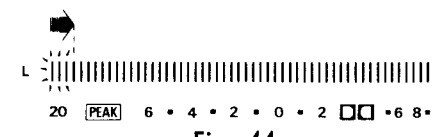


Fig. 44



Fig. 45

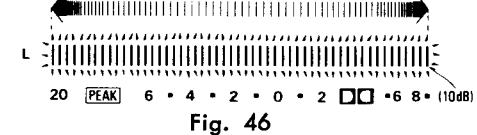


Fig. 46

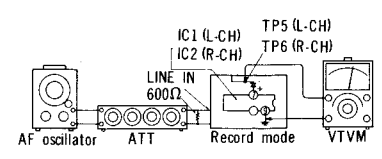
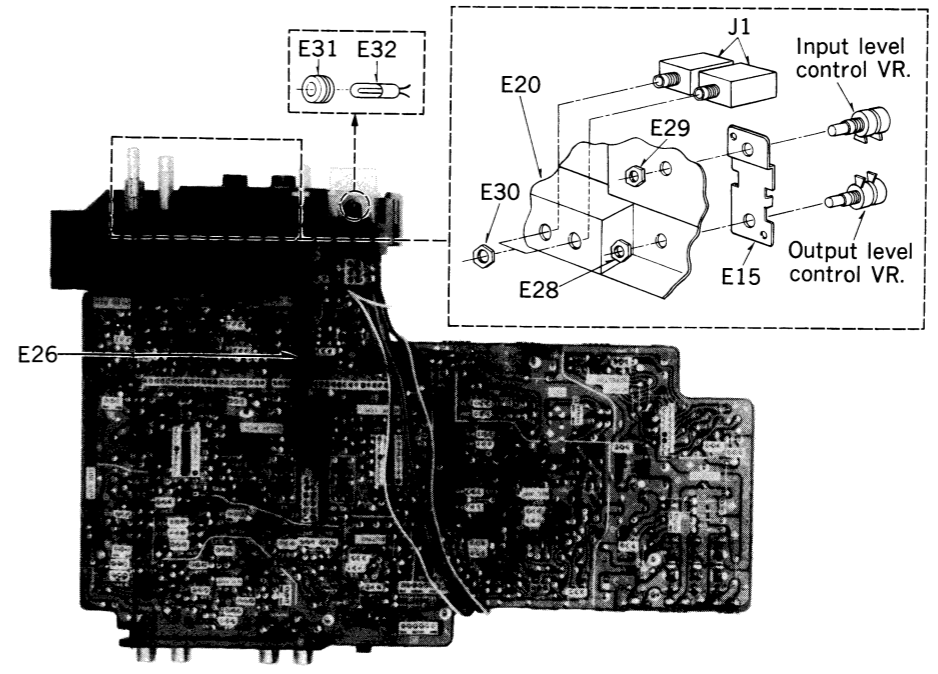
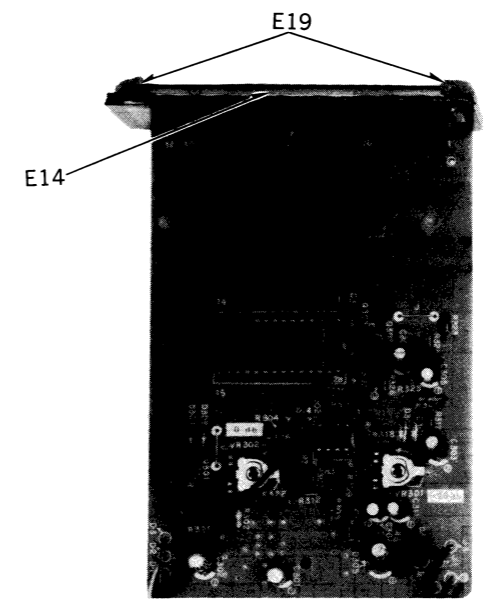
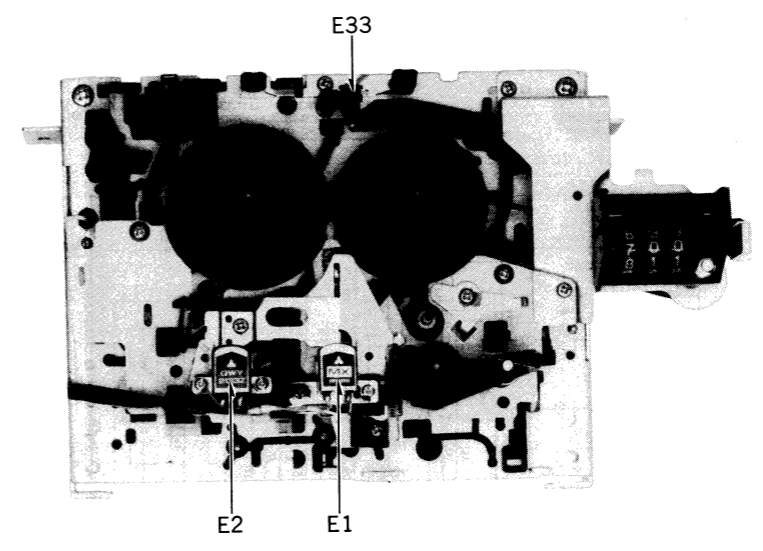
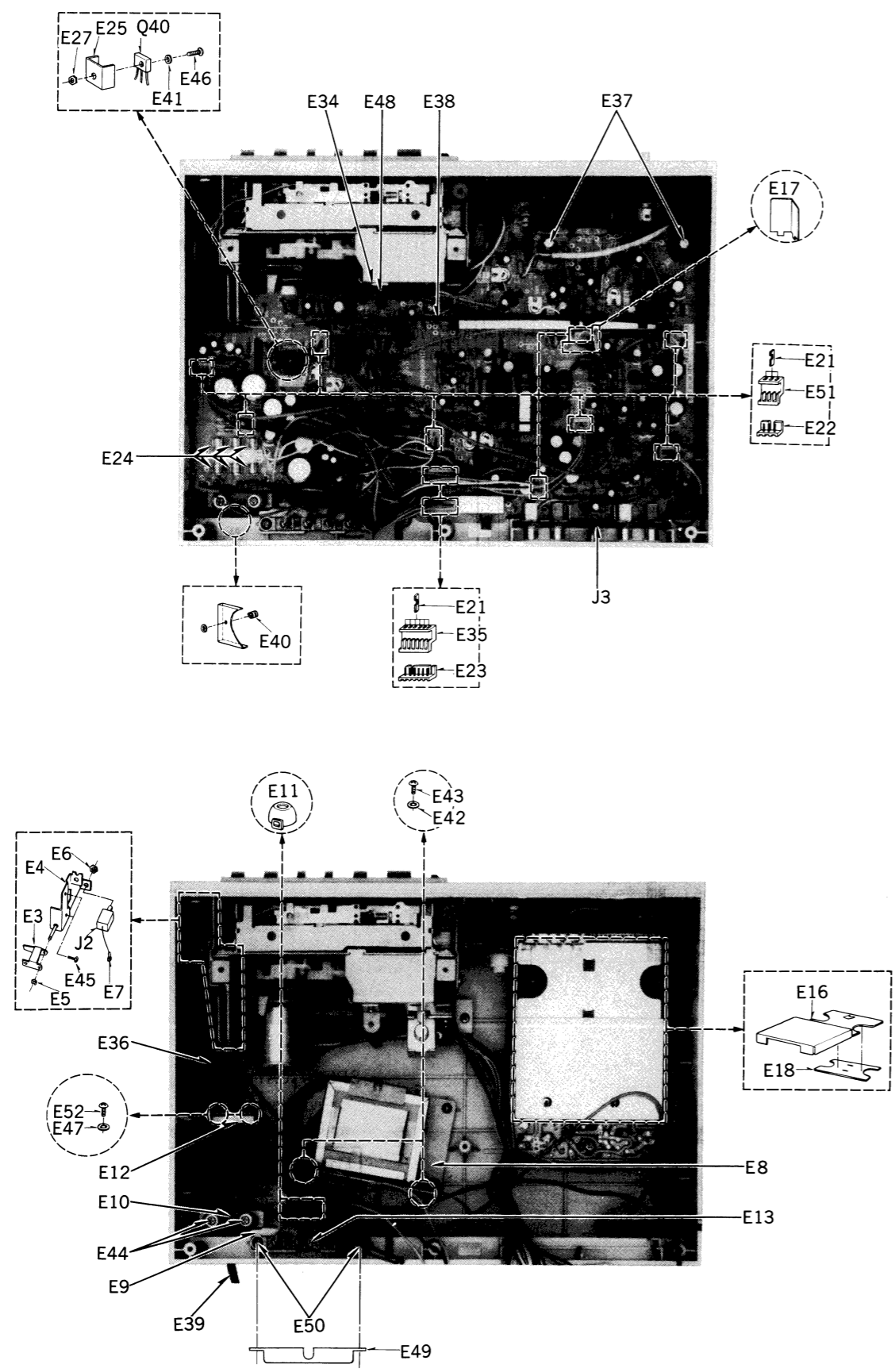


Fig. 47

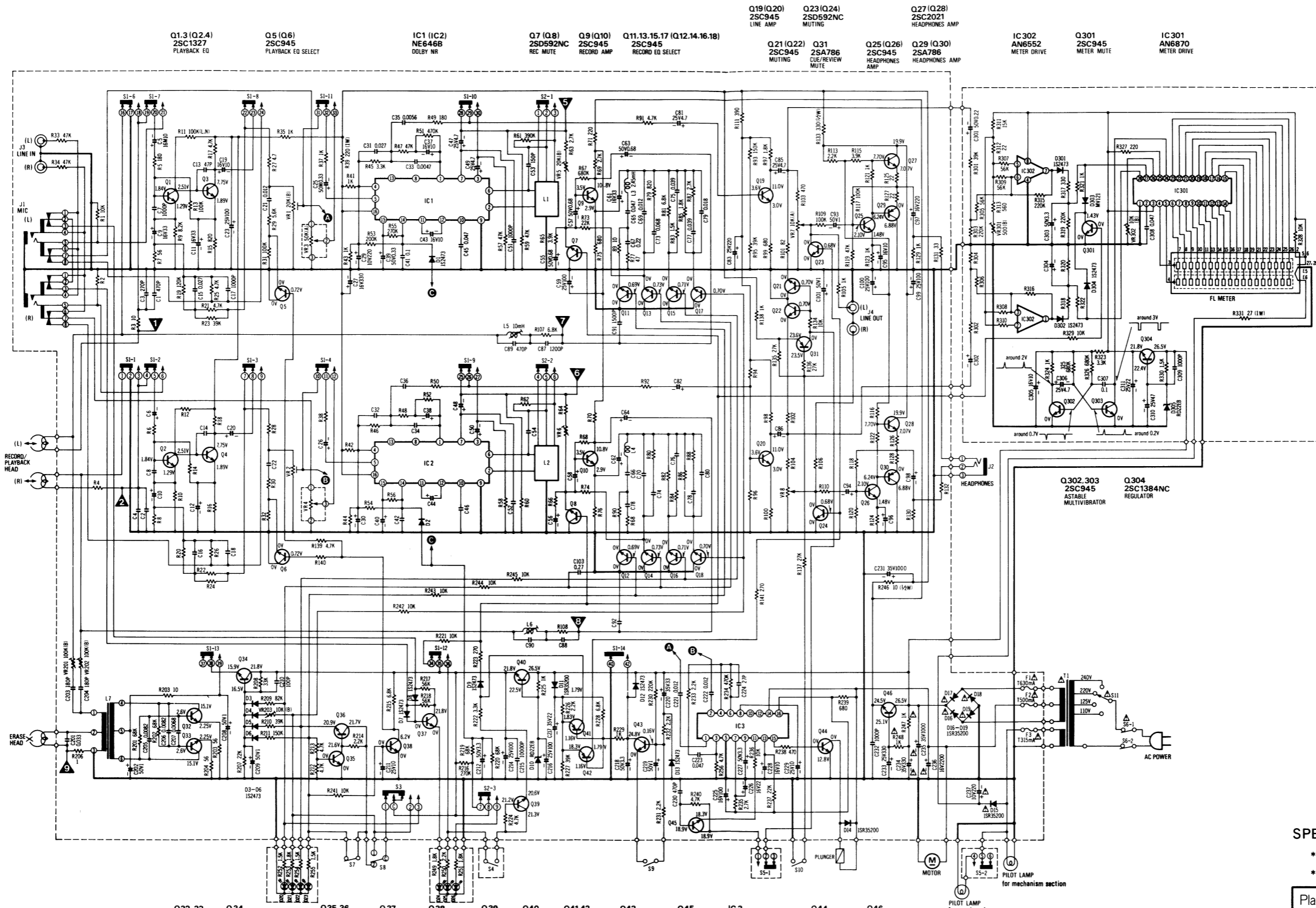
ELECTRICAL PARTS LOCATION



NOTE: Δ indicates that only parts specified by the manufacturer be used for safety.

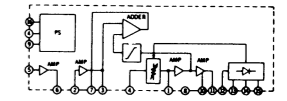
Ref. No.	Part No.	Part Name & Description
ELECTRICAL PARTS		
E1	QWY4122Z	Record/Playback Head
E2	QWY2133Z	Erase Head
E3	QMLM0040	Recording Lever
E4	QXAM0018	Headphones Jack Angle
E5	XUC3FT	Stop Ring 3 ϕ
E6	QMQ1070	Nut
E7	QTD1001	Lug Terminal
E8	QMF00015	Transformer Holding Plate
E9	QMAM0127	Switch Angle-A (for S11)
E10	QTD1164	Cord Clamper
E11	QTWM0026	Switch Cover
E12	QMAM0123	Switch Angle-B (for S6)
E13	QJT4017	4 Pin Terminal Plate
E14	QSL5006RF	FL Meter
E15	QTS00032	Shield Plate-A
E16	QTS00033	Shield Plate-B
E17	QTS00037	Shield Plate-C
E18	QTWM0030	Insulating Plate
E19	QBMM0017	Meter Cushion
E20	QKJM0038	Jack Plate
E21	QJT1067	Contact
E22	QJP1921TN	3 Pin Post
E23	QJP1922TN	6 Pin Post
E24	Δ QTF1054	Fuse Holder
E25	RMV95ZA	Heat Sink
E26	QKJM0034	Switch Button Rod-A (for Dolby Button)
E27	XNG3ES	Nut (for Heat Sink)
E28	XNS8	Nut (for Output VR)
E29	XNS9	Nut (for Input VR)
E30	QMQ1070	Jack Nut (for Microphone Jack)
E31	QBG1366	Rubber Cushion
E32	XAMQ22P300	Pilot Lamp (for Music Sector)
E33	XAMQ41S500	Pilot Lamp (for Mechanism Section)
E34	QMAM0124	Circuit Board Angle
E35	QJS1922TN	6 Pin Socket
E36	QKJM0035	Switch Button Rod-B (for Power Button)
E37	QMP1779	Circuit Board Holding Post
E38	QBSM0006	Recording Wire
E39	Δ QFC1204M	AC Power Cord
*For all European areas except United Kingdom.		
Δ QFC1205M		
*For United Kingdom.		
E40	QBJ1425	Cord Bushing
E41	XWC3	Washer 3 ϕ
E42	XWG3	"
E43	XTN3+8B	Tapping Screw ϕ 3 \times 8
E44	XSN3+20S	Screw ϕ 3 \times 20
E45	XTB3+8BFN	Tapping Screw ϕ 3 \times 8
E46	XSN3+8S	Screw ϕ 3 \times 8
E47	XWA3B	Washer 3 ϕ
E48	XTN26+6B	Tapping Screw ϕ 2.6 \times 6
E49	QTWM0032	Terminal Plate Cover
E50	XTB3+12BFZ	Tapping Screw ϕ 3 \times 12
E51	QJS1921TN	3 Pin Socket
E52	XSN3+6S	Screw ϕ 3 \times 6

SCHEMATIC DIAGRAM

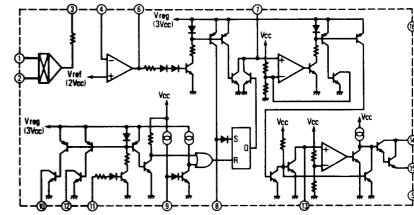


EQUIVALENT CIRCUIT

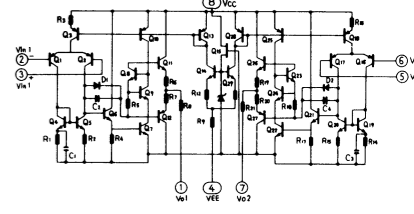
IC1, 2 NE646B



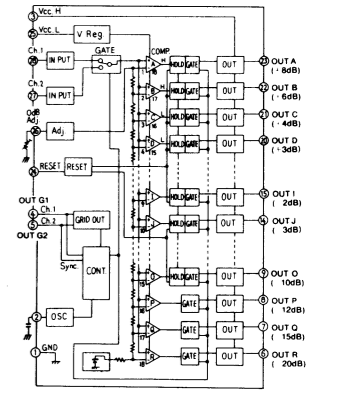
IC3 M51144L



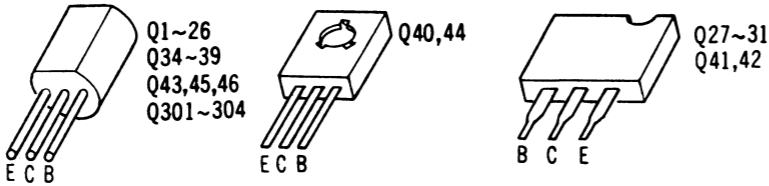
IC302 AN6552



IC301 AN6870



TERMINATIONS (SIDE VIEW)



NOTES:

- S1-1 ~ S1-14 Record/playback select switch (shown in playback position).
- S2-1 ~ S2-3 Dolby NR IN/OUT select switch (shown in OUT position).
- S3 Tape select manual/auto select switch (shown in auto position).
- S4 Rec mute ON/OFF switch (shown in OFF position).
- S5-1, S5-2 Music selector ON/OFF switch (shown in OFF position).
- S6 Power ON/OFF switch (shown in ON position).
- S7, S8 Automatic tape select switch (shown in Metal position).
- S9 Playback muting switch (shown in OFF position).
- S10 Fast wind muting switch (shown in OFF position).
- S11 AC power voltage select switch.
- VR1, 2 Playback gain adjustment VR.
- VR3, 4 Input level control.
- VR5, 6 Recording gain adjustment VR.
- VR7, 8 Output level control.
- VR201, 202 Bias current adjustment VR.
- VR203 Erase current adjustment VR (for metal position).
- VR301 FL meter adjustment VR (for -20dB indication).
- VR302 FL meter adjustment VR (for 0dB indication).
- L5, L6 Bias leakage adjustment coil.
- Resistance are in ohms (Ω), 1/4 watt unless specified otherwise.
- K = 1,000.
- Capacity are in microfarads (μ F) unless specified otherwise.
- P = Pico farads.
- The mark (▼) shows test point. e.g. ▼ = test point 1.
- All voltage values shown in circuitry are under no signal condition and record mode with volume control at minimum position.
- For measurement, use VTVM.
- Δ indicates that only parts specified by the manufacturer used for safety.

SPECIFICATIONS

- * Input level controls MAX
- * Output level control MAX

Playback S/N ratio Test tape...QZZCFM	More than 46dB (without NAB filter)
Overall distortion Test tape ...QZZCRA for Normal ...QZZCRX for CrO ₂ ...QZZCRY for Fe-Cr ...QZZCRZ for Metal	Less than 3% (Normal) Less than 3.5% (Fe-Cr, CrO ₂ , Metal)
Overall S/N ratio Test tape...QZZCRX	More than 45dB (without NAB filter)

NOTES: RESISTORS ERD... Carbon ERG... Metal-oxide ERO... Metal-film ERX... Metal-film ERQ... Fuse type metallic ERC... Solid ERF... Cement CAPACITORS ECG... Ceramic ECK... Ceramic ECC... Ceramic ECF... Ceramic ECQM... Polyester film ECQE... Polyester film ECQF... Polypropylene

NOTE: Δ indicates that only parts specified by the manufacturer be used for safety.

CIRCUIT BOARDS MAIN CIRCUIT BOARD

Table of components including Resistor Part No., Diodes & Rectifiers Part No., Integrated Circuits Part No., Transformer Part No., Coils Part No., Switches Part No., Fuses Part No., and Jacks Part No.

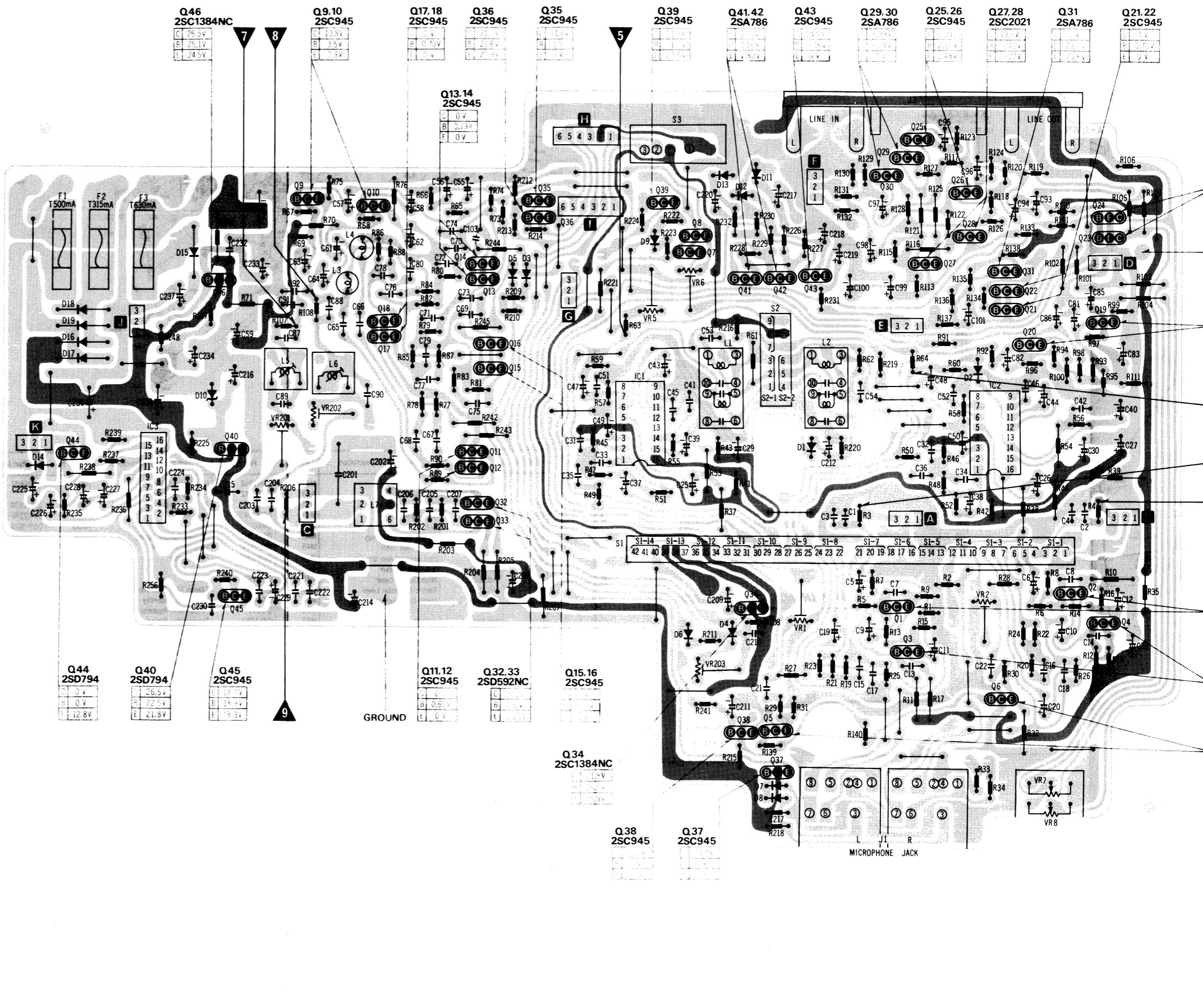
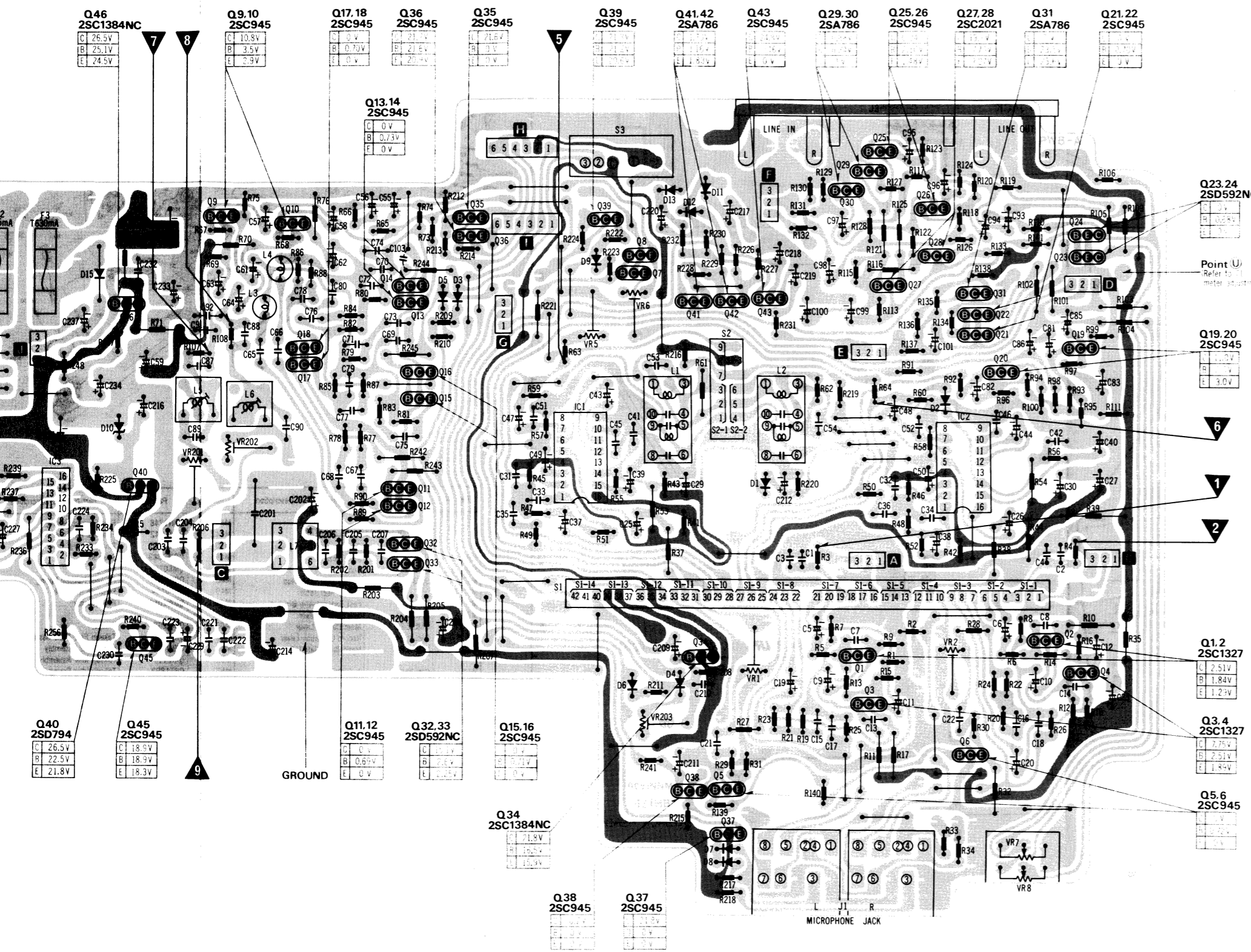


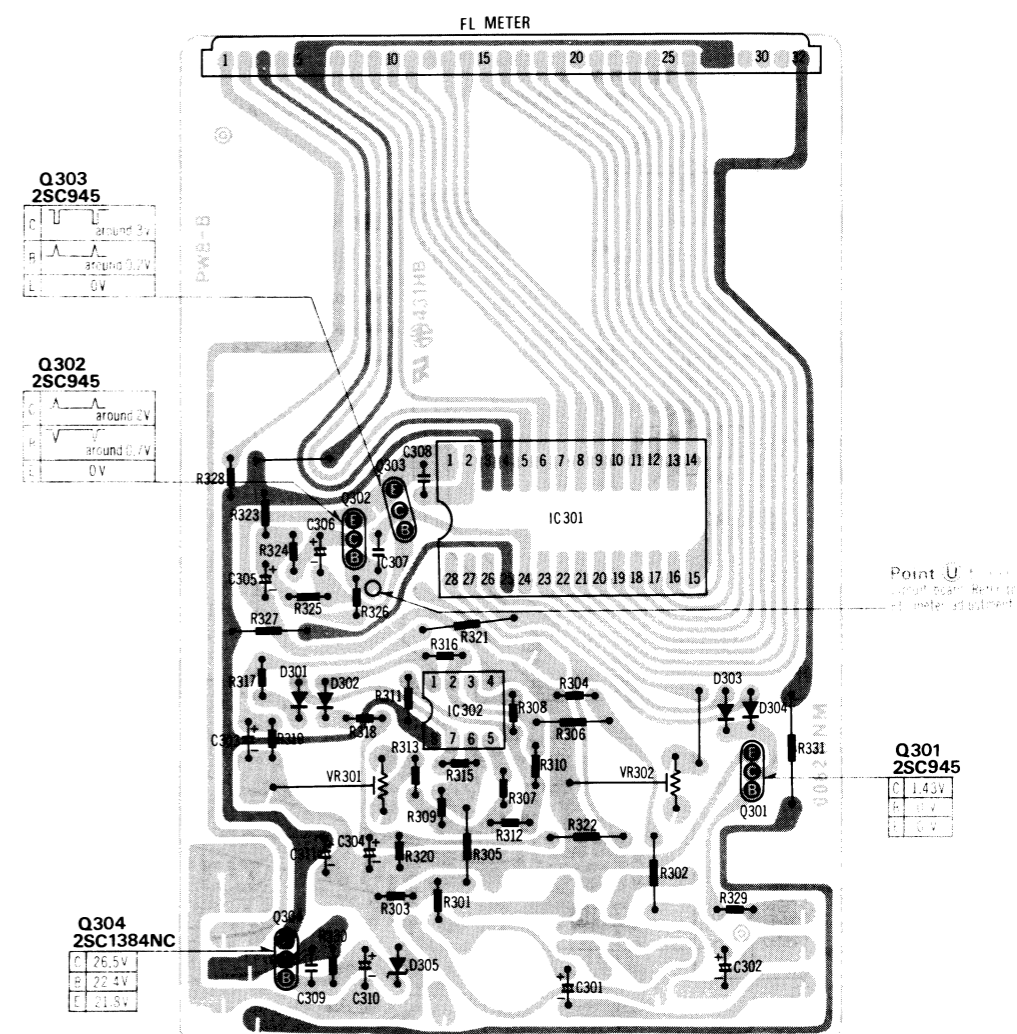
Table with columns: Ref. No., Part No., Part Name & Description. Lists components like T1 (Power Transformer), S1-S11 (Switches), F1-F3 (Fuses), and J1-J3 (Jacks).

UNIT BOARDS

CIRCUIT BOARD

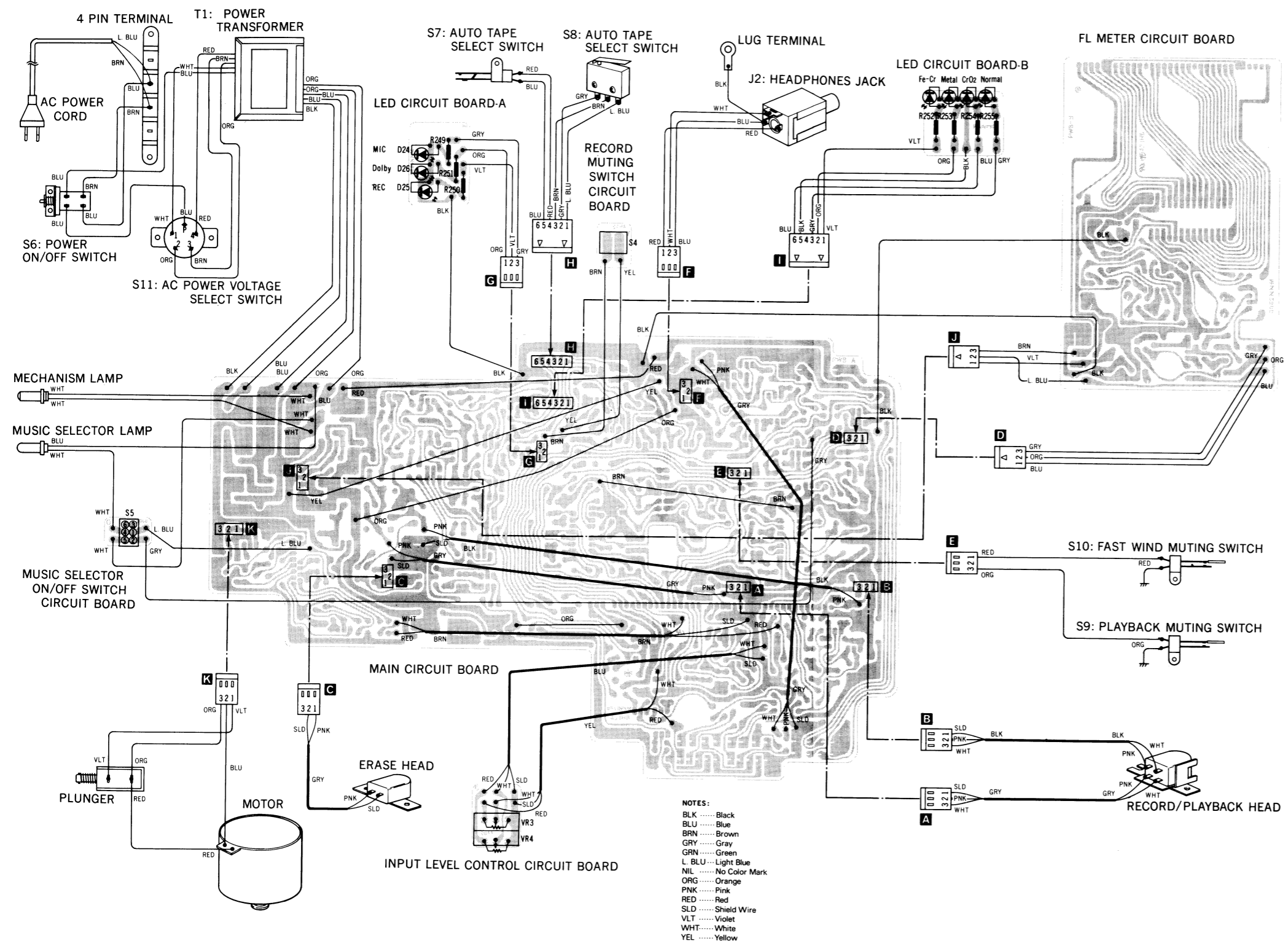


FL METER CIRCUIT BOARD

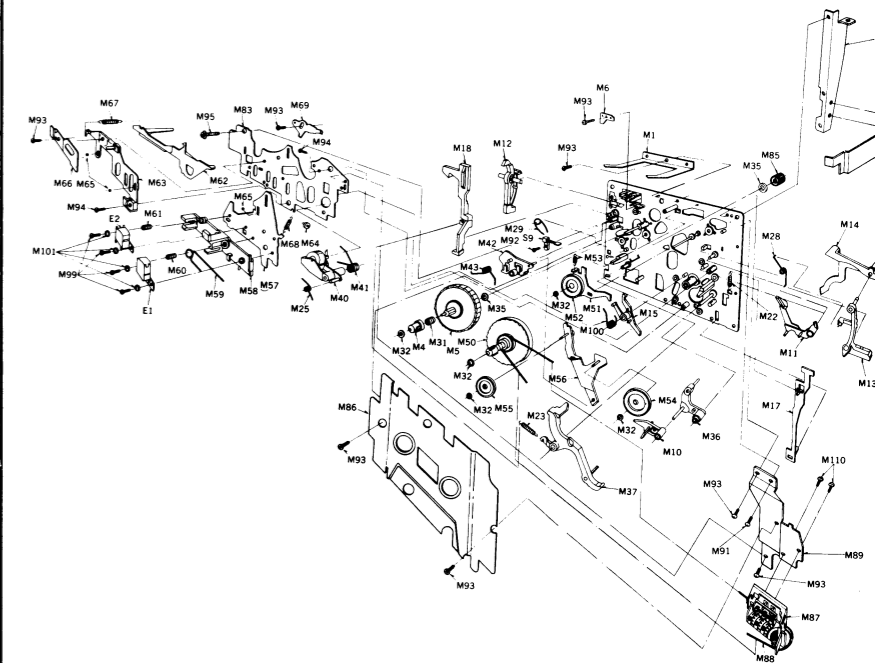


- NOTES:**
- The circuit shown in ████████ on the conductor is +B (bias) circuit.
 - The circuit shown in ████████ on the conductor indicates printed circuit on the back side of the printed circuit board.
 - Values indicated in are DC voltage between the ground and electrical parts.

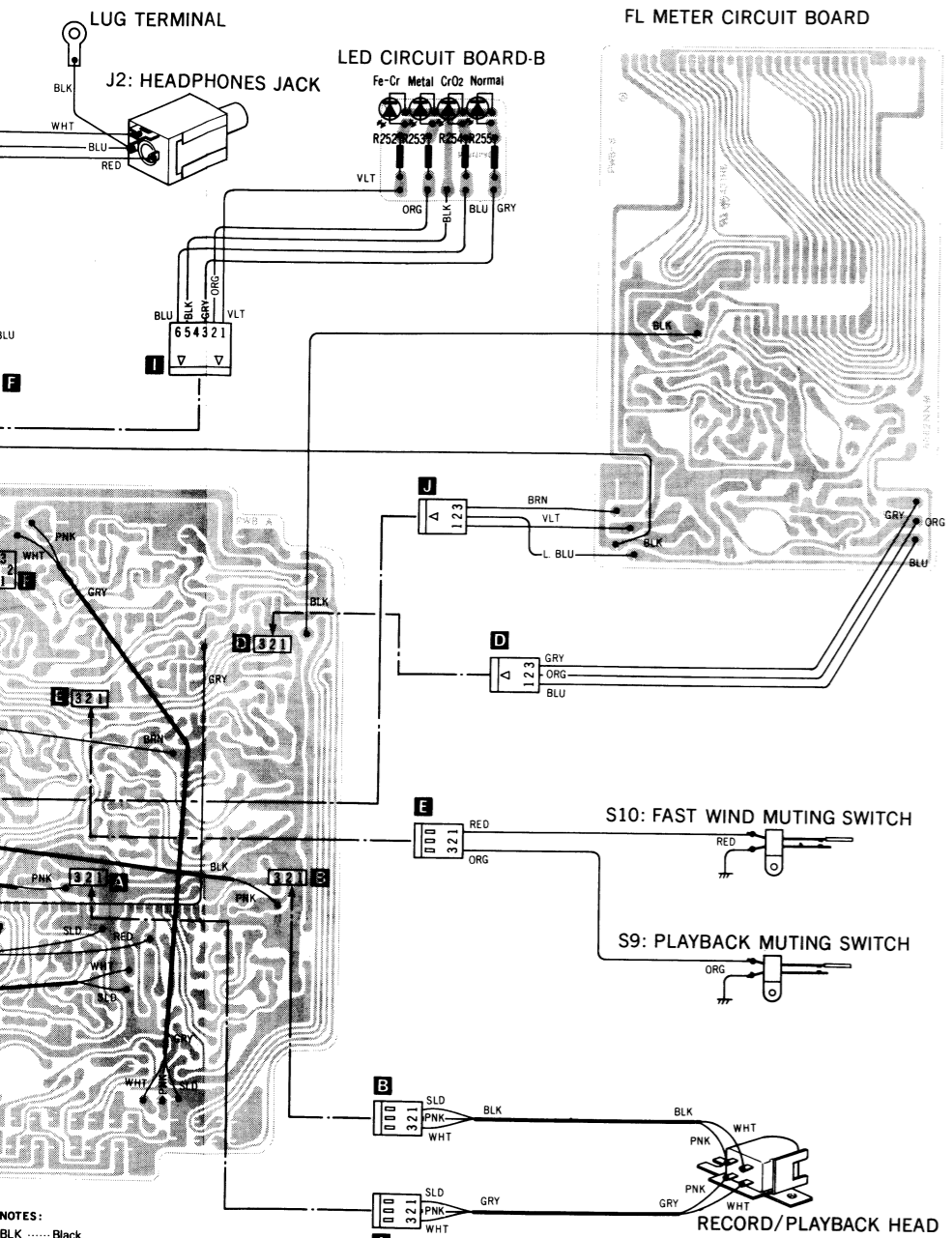
WIRING CONNECTION DIAGRAM



EXPLODED VIEWS

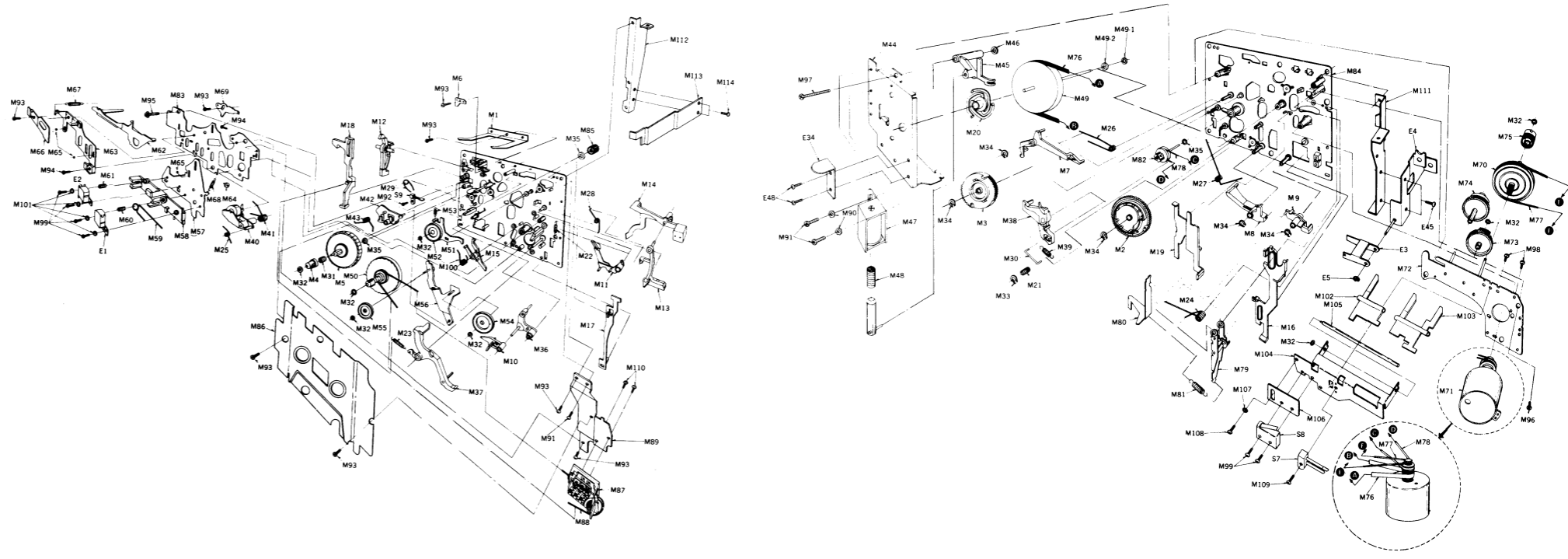


Ref. No.	Part No.	Part Name & Description	Ref. No.	Part No.	Part Name & Description
MECHANICAL PARTS					
M1	QBP1874	Cassette Pressure Spring	M43	QBN1748	Fast Forward Spring
M2	QDG1201	Main Gear	M44	QXA1042	Flywheel Retainer
M3	QDG1202	Sub Gear	M45	QXL3616	Pause Driving Lever
M4	QMB1336	Supply Reel Table Hub	M46	QBW2083	Snap Ring
M5	QDR1139	Supply Reel Table	M47	QME0157	Plunger
M6	QMF2118	Fast Forward Arm Bracket	M48	QBC1358	Plunger Release Spring
M7	QML3581	Sub Control Lever	M49	QXF0164	Flywheel Assembly
M8	QML3583	Main Control Lever	M49-1	QBW2049	Poly Washer
M9	QML3584	Record Operation Lever	M49-2	QBW2026	Washer
M10	QML3586	Head Base Plate Lift Lever	M50	QXD1143	Takeup Reel Table Assembly
M11	QML3594	Auto-Stop Release Arm	M51	QXL1382	Idler Lever Assembly
M12	QML3603	Erase Safety Lever	M52	QX10111	Takeup Idler Assembly
M13	QML3604	Auto-Stop Driving Lever	M53	QBT1893	Takeup Idler Spring
M14	QML3605	Auto-Stop Detection Lever	M54	QX10113	Fast Forward Idler Assembly
M15	QML3592	Change Lever	M55	QX10112	Rewind Idler Assembly
M16	QMR1820	Record Rod	M56	QXL1383	Fast Forward Arm Assembly
M17	QMR1821	Auto-Stop Connection Rod	M57	QMK1840	Head Base Plate
M18	QMR1822	Eject Rod	M58	QMZ1241	Head Spacer
M19	QMR1824	Control Rod	M59	QBN1740	Head Pressure Spring
M20	QMZ1239	Flywheel Thrust Retainer	M60	QBC1278	Head Spring (for Record/Playback Head)
M21	QBC1357	Lock Pin Pressure Spring	M61	QBCA0008	Head Spring (for Erase Head)
M22	QBT1682	Auto-Stop Connection Rod Spring	M62	QML3591	Brake Arm
M23	QBT1894	Main Lever Spring	M63	QMZ1240	Sub Head Base Plate
M24	QBN1739	Selection Lever Spring	M64	QMN2550	Roller
M25	QBN1742	Pressure Roller Release Spring	M65	QDK1017	Steel Ball 2φ
M26	QBN1744	Sub Gear Spring	M66	QBP1873	Head Base Plate Pressure Spring
M27	QBN1745	Main Gear Spring	M67	QBT1597	Brake Arm Spring
M28	QBN1746	Auto-Stop Lever Spring	M68	QBT1892	Head Release Spring
M29	QBN1747	Connection Spring	M69	QMA3858	Head Adjustment Plate
M30	QBS1128	Lock Pin	M70	QXG1047	Takeup Gear Assembly
M31	QBC1372	Reel Table Spring	M71	QXU0170	Motor Assembly
M32	QBW2008	Poly Washer 2φ	M72	QXK2286	Sub Chassis Assembly
M33	XUB4FT	Stop Ring 4φ	M73	QDG1199	Auto-Stop Gear
M34	XUB3FT	Stop Ring 3φ	M74	QDG1200	Cam Gear
M35	QBW2012	Poly Washer	M75	QDP1823	Connection Pulley
M36	QXL1354	Sub Lever Assembly	M76	QDB0281	Capstan Belt
M37	QXL1355	Main Lever Assembly	M77	QDB0273	Fast Forward Belt
M38	QML3582	Pause Lock Lever	M78	QDB0274	Takeup Belt
M39	QBT1896	Lever Release Spring	M79	QXL1360	Record/Playback Selection Arm Assembly
M40	QXL1381	Pressure Roller Assembly	M80	QML3580	Record/Playback Selection Lever
M41	QBN1743	Pressure Roller Spring	M81	QBT1895	Record/Playback Selection Lever Spring
M42	QML3588	Fast Forward Lever			



- NOTES:
- BLK Black
 - BLU Blue
 - BRN Brown
 - GRY Gray
 - GRN Green
 - L. BLU Light Blue
 - NIL No Color Mark
 - ORG Orange
 - PNK Pink
 - RED Red
 - SLD Shield Wire
 - VLT Violet
 - WHT White
 - YEL Yellow

EXPLODED VIEWS

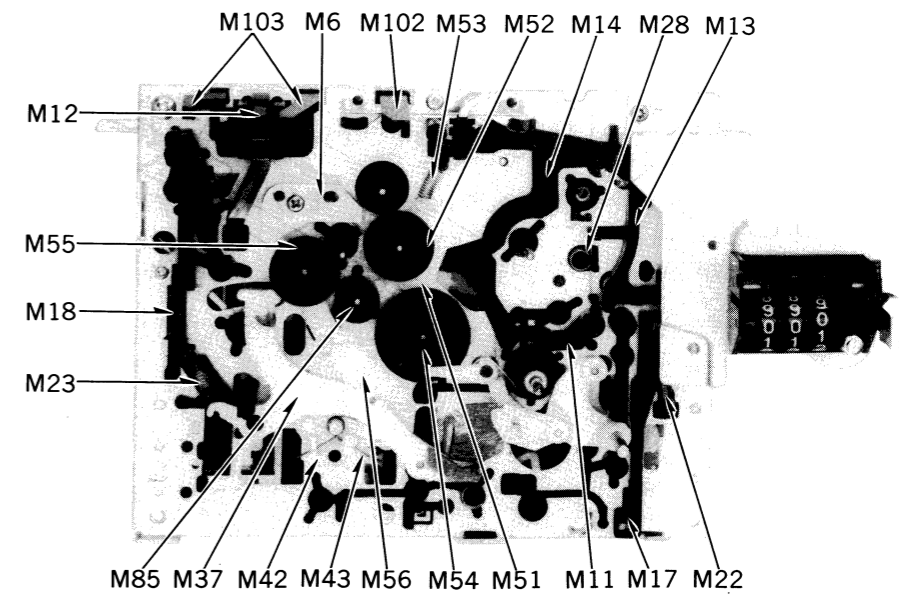
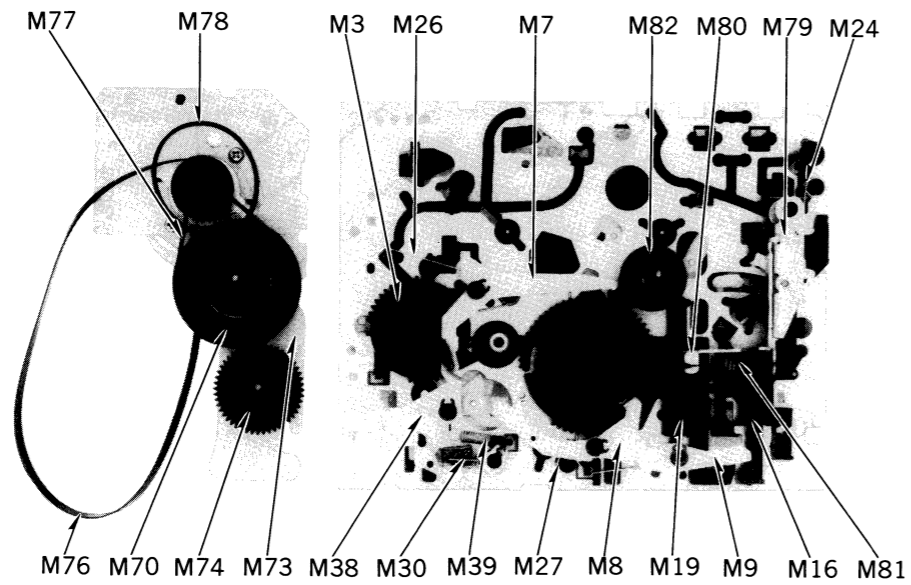
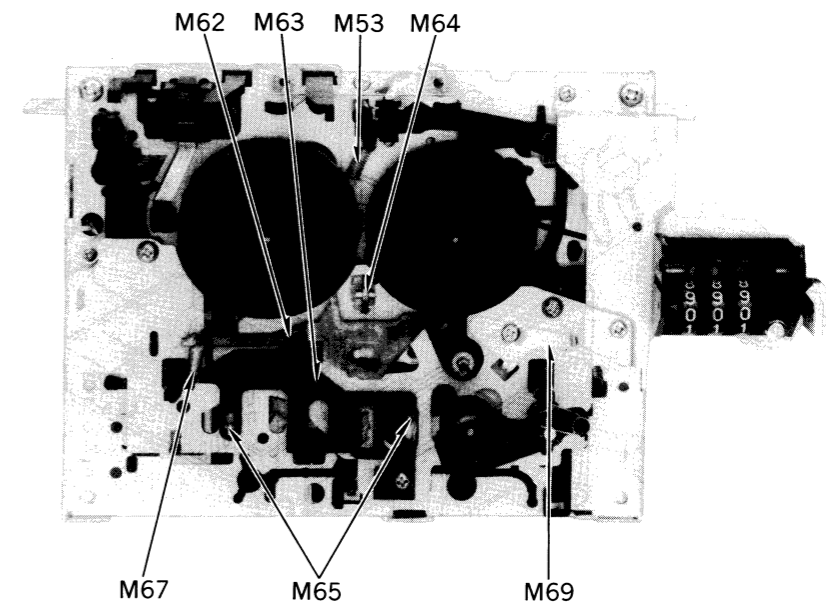
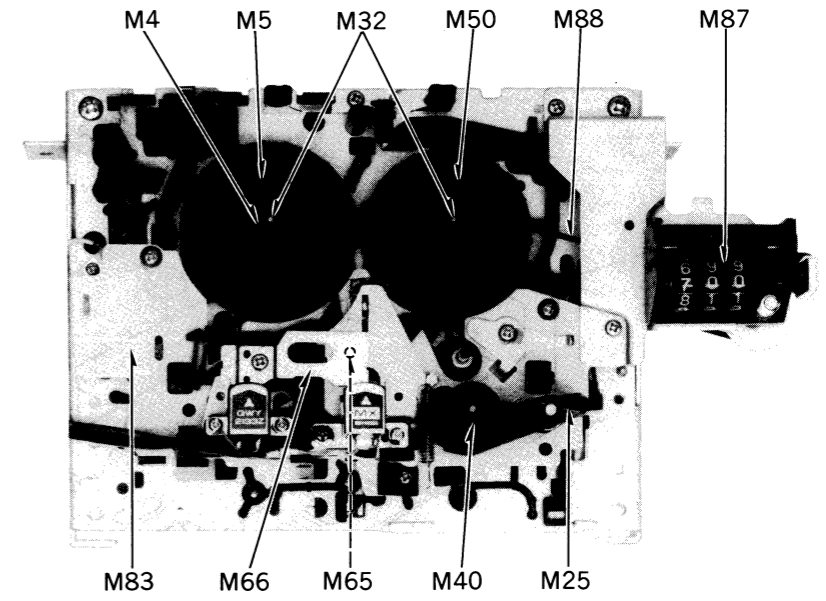
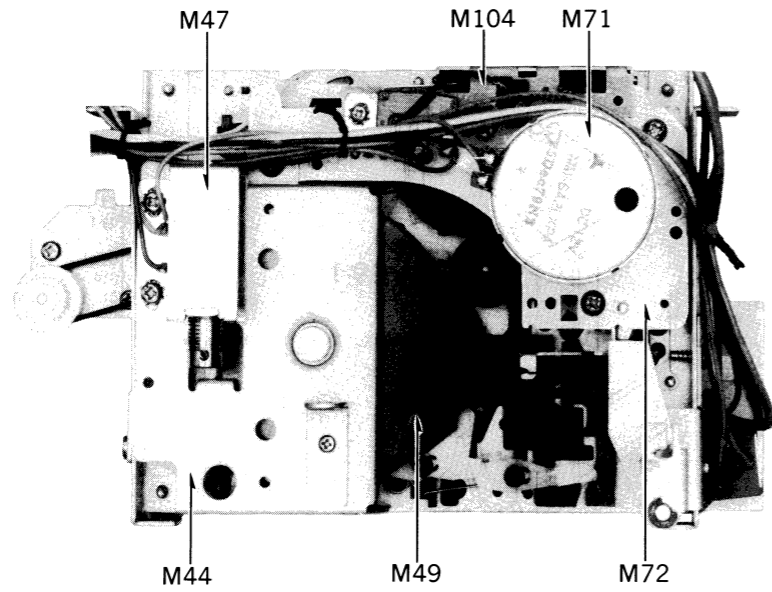


Ref. No.	Part No.	Part Name & Description	Ref. No.	Part No.	Part Name & Description	Ref. No.	Part No.	Part Name & Description
MECHANICAL PARTS								
M1	QBP1874	Cassette Pressure Spring	M43	QBN1748	Fast Forward Spring	M82	QXP0607	Fast Forward Connection Pulley Assembly
M2	QDG1201	Main Gear	M44	QXA1042	Flywheel Retainer	M83	QMK1838	Upper Base Plate
M3	QDG1202	Sub Gear	M45	QML3616	Pause Driving Lever	M84	QXK2276	Lower Base Plate
M4	QMB1336	Supply Reel Table Hub	M46	QBW2083	Snap Ring	M85	QDP1828	Fast Forward Pulley
M5	QDR1139	Supply Reel Table	M47	QME0157	Plunger	M86	QXH0341	Chassis Cover Assembly
M6	QMF2118	Fast Forward Arm Bracket	M48	QBC1358	Plunger Release Spring	M87	QXC0062	Tape Counter
M7	QML3581	Sub Control Lever	M49	QXF0164	Flywheel Assembly	M88	QDB0207	Counter Belt
M8	QML3583	Main Control Lever	M49-1	QBW2049	Poly Washer			
M9	QML3584	Record Operation Lever	M49-2	QBW2026	Washer	M89	QMAM0122	Counter Angle
M10	QML3586	Head Base Plate Lift Lever	M50	QXD1143	Takeup Reel Table Assembly	M90	XWC3B	Washer 3φ
M11	QML3594	Auto-Stop Release Arm	M51	QXL1382	Idler Lever Assembly	M91	XSN3+6S	Screw φ3×6
M12	QML3603	Erase Safety Lever	M52	QXI0111	Takeup Idler Assembly	M92	XTN2+6B	Tapping Screw φ2×6
M13	QML3604	Auto-Stop Driving Lever	M53	QBT1893	Takeup Idler Spring	M93	XTN26+6B	Tapping Screw φ2.6×6
M14	QML3605	Auto-Stop Detection Lever	M54	QXI0113	Fast Forward Idler Assembly	M94	XTN26+10B	Tapping Screw φ2.6×10
M15	QML3592	Change Lever	M55	QXI0112	Rewind Idler Assembly	M95	XTN26+12B	Tapping Screw φ2.6×12
M16	QMR1820	Record Rod	M56	QXL1383	Fast Forward Arm Assembly	M96	XTN3+10B	Tapping Screw φ3×10
M17	QMR1821	Auto-Stop Connection Rod	M57	QMK1840	Head Base Plate	M97	XTN3+24B	Tapping Screw φ3×24
M18	QMR1822	Eject Rod	M58	QMZ1241	Head Spacer	M98	XSN26+3S	Screw φ2.6×3
M19	QMR1824	Control Rod	M59	QBN1740	Head Pressure Spring	M99	XSN2+10	Screw φ2×10
M20	QMZ1239	Flywheel Thrust Retainer	M60	QBC1278	Head Spring (for Record/Playback Head)	M100	QBN1741	Change Lever Spring
M21	QBC1357	Lock Pin Pressure Spring	M61	QBCA0008	Head Spring (for Erase Head)	M101	XWA2	Washer 2φ
M22	QBT1682	Auto-Stop Connection Rod Spring	M62	QML3591	Brake Arm	M102	QML3644	Tape Detection Lever-A (for Metal Tape)
M23	QBT1894	Main Lever Spring	M63	QMZ1240	Sub Head Base Plate	M103	QML3645	Tape Detection Lever-B (for CrO2 Tape)
M24	QBN1739	Selection Lever Spring	M64	QMN2550	Roller	M104	QMA3920	Detection Lever Angle
M25	QBN1742	Pressure Roller Release Spring	M65	QDK1017	Steel Ball 2φ	M105	QMS2546	Detection Lever Shaft
M26	QBN1744	Sub Gear Spring	M66	QBP1873	Head Base Plate Pressure Spring	M106	QMF1682	Switch Retaining Plate
M27	QBN1745	Main Gear Spring	M67	QBT1597	Brake Arm Spring	M107	XWC26B	Washer 2.6φ
M28	QBN1746	Auto-Stop Lever Spring	M68	QBT1892	Head Release Spring	M108	XSN26+6	Screw φ2.6×6
M29	QBN1747	Connection Spring	M69	QMA3858	Head Adjustment Plate	M109	XSN2+6	Screw φ2×6
M30	QBS1128	Lock Pin	M70	QXG1047	Takeup Gear Assembly	M110	XSN3+5S	Screw φ3×5
M31	QBC1372	Reel Table Spring	M71	QXU0170	Motor Assembly	M111	QMAM0120	Mechanism Angle-R
M32	QBW2008	Poly Washer 2φ	M72	QXK2286	Sub Chassis Assembly	M112	QMAM0121	Auto-Stop Gear
M33	XUB4FT	Stop Ring 4φ	M73	QDG1199	Auto-Stop Gear	M113	QMAM0125	Stopper
M34	XUB3FT	Stop Ring 3φ	M74	QDG1200	Cam Gear	M114	XTN3+8B	Screw φ3×8
M35	QBW2012	Poly Washer	M75	QDP1823	Connection Pulley			
M36	QXL1354	Sub Lever Assembly	M76	QDB0281	Capstan Belt			
M37	QXL1355	Main Lever Assembly	M77	QDB0273	Fast Forward Belt			
M38	QML3582	Pause Lock Lever	M78	QDB0274	Takeup Belt			
M39	QBT1896	Lever Release Spring	M79	QXL1360	Record/Playback Selection Arm Assembly			
M40	QXL1381	Pressure Roller Assembly	M80	QML3580	Record/Playback Selection Lever			
M41	QBN1743	Pressure Roller Spring	M81	QBT1895	Record/Playback Selection Lever Spring			
M42	QML3588	Fast Forward Lever						

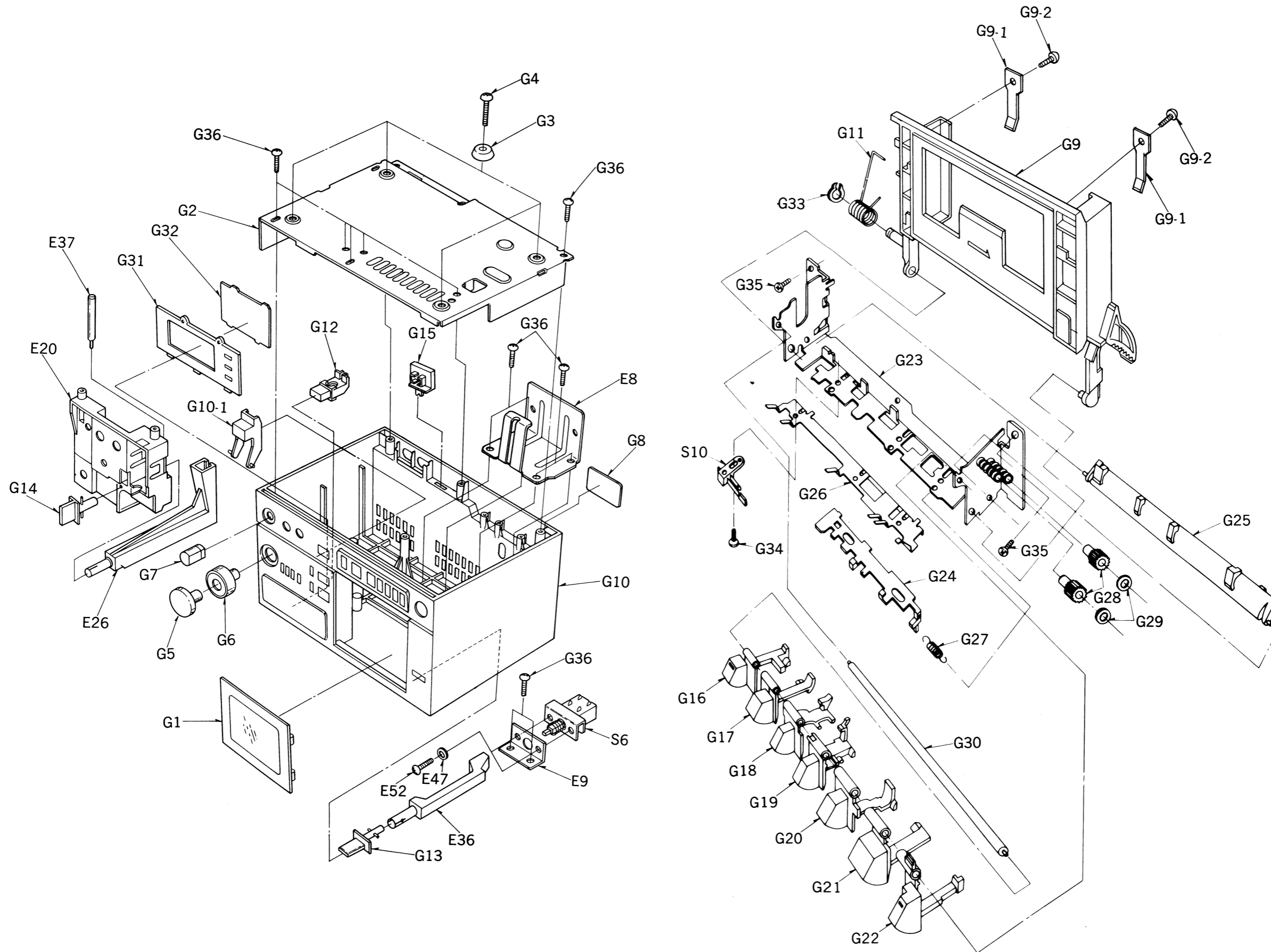
SPECIFICATIONS

Pressure of pressure roller	350±50g
Takeup tension • Use cassette torque meter	45 ⁺¹⁵ ₋₁₀ g-cm
Wow and flutter : (JIS) • Use test tape QZZCWAT	Less than 0.06% (WRMS)

MECHANICAL PARTS LOCATION



CABINET PARTS



Ref. No.	Part No.	Part Name & Description
CABINET PARTS		
G1	QYFM0044	Cassette Lid Assembly
G2	QGCM0034	Bottom Cover
G3	QKA1044	Rubber Foot
G4	XTB3+8BFZ	Tapping Screw $\phi 3 \times 8$
G5	QYT0516	Input Level Control Knob-A Assembly
G6	QYT0517	Input Level Control Knob-B Assembly
G7	QYT0601	Output Level Control Knob Assembly
G8	QGS0117	Main Name Plate
*For all European areas except United Kingdom.		
	QGS0118	"
*For United Kingdom.		
G9	QYF0447	Cassette Holder Assembly
G9-1	QBP1899	Holder Spring
G9-2	XSN2+3	Screw $\phi 2 \times 3$
G10	QYMM0065	Main Case Assembly
G10-1	QGOM0030	Rec Mute Button
G11	QBN7008	Cassette Holder Spring
G12	QXBM0021	Music Select Button
G13	QGOM0031	Power Button
G14	QGOM0032	Switch Button
G15	QGOM0034	Tape Select Button
G16	QXL1389	Eject Button Assembly
G17	QXL1390	Record Button Assembly
G18	QXL1391	Rewind/Review Button Assembly
G19	QXL1392	Fast Forward/Cue Button Assembly
G20	QXL1393	Playback Button Assembly
G21	QXL1394	Stop Button Assembly
G22	QXL1395	Pause Button Assembly
G23	QXA1044	Operation Button Angle Assembly
G24	QMR1823	Obstruction Rod
G25	QML3649	Lock Arm
G26	QBP1875	Obstruction Lever Spring
G27	QBT1597	Obstruction Rod Spring
G28	QDG1102	Holder Gear
G29	QBW2082	Snap Ring
G30	QMN2554	Operation Lever Shaft
G31	QKJM0033	Meter Ornament-A
G32	QKJM0032	Meter Ornament-B
G33	XUB5FT	Stop Ring 5ϕ
G34	XSN2+6	Screw $\phi 2 \times 6$
G35	XTN26+6B	Tapping Screw $\phi 2.6 \times 6$
G36	XTN3+8B	Tapping Screw $\phi 3 \times 8$
ACCESSORIES		
A1	RP030X	Connection Cord
A2	QQT2824	Instruction Book
*For all European areas except United Kingdom.		
	QQT2825	"
*For United Kingdom.		
PACKINGS		
P1	QPNM0151	Inside Carton
P2	QPAM0040	Cushion-R
P3	QPAM0041	Cushion-L
P4	QPG1983	Pad
P5	XZB40X50A02	Poly Bag

RS-M04 FRANCAIS

MESURES ET REGLAGES

NOTA 1:

La vitesse de la bande peut être réglée à travers le petit trou situé au dos du boîtier principal. Utiliser un tournevis non-métallique comme illustré ci-dessous (Fig. 25).

NOTA 2: Sélecteur de bande

Comme montré dans la Fig. 26, ce mécanisme sélectionne automatiquement le circuit pour les modes metal, CrO₂ ou normal utilisant le trou de détection de bande situé sur la cassette. Toutefois, il n'y a pas d'autre type de cassette d'essai dotée de ces trous de détection de bande.

Par conséquent, lorsqu'il est nécessaire de commuter le circuit électrique sur les modes metal/CrO₂/normal/Fe-Cr pour la mesure et le réglage, prendre les mesures suivantes selon les types de bande d'essai.

○ Positionner sur le mode pour bande metal:

- Lorsque la bande utilisée est dotée d'un trou de détection de bande metal, régler le sélecteur de bande situé au dos de l'appareil sur la position auto (Fig. 27).
- Lorsque la bande utilisée n'est pas dotée de trou de détection de bande metal, régler le sélecteur de bande sur la position "metal-manual" (Fig. 28).

○ Positionner sur le mode pour bande normal:

- Régler le sélecteur de bande situé au dos de l'appareil sur la position auto (Fig. 27).

○ Positionner sur le mode pour bande Fe-Cr:

- Régler le sélecteur de bande situé au dos de l'appareil sur la position "Fe-Cr-manual" (Fig. 29).

○ Positionner sur le mode pour bande CrO₂:

- Lorsque la bande utilisée est dotée d'un trou de détection de bande CrO₂, régler le sélecteur de bande situé au dos de l'appareil sur la position auto (Fig. 27).
- Lorsque la bande utilisée n'est pas dotée de trou de détection de bande CrO₂, régler le sélecteur de bande sur la position auto et, comme montré sur la Fig. 30, sortir la douille-H à 6 broches, et court-circuiter la borne de la douille-H post à 6 broches comme montré sur la Fig. 30, ensuite le circuit est réglé sur le mode CrO₂.

NOTA 3:

Pour garder l'appareil en bon état de marche, positionner les commutateurs à levier et les commandes dans les positions suivantes, sauf indication contraire.

- Vérifiez que les têtes soient propres.
- Vérifiez que le cabestan et le galet presseur soient propres.
- Température ambiante admissible: 20±5°C.
- Sélecteur de Dolby: OUT
- Sélecteur de bande: Position automatique
- Commande de niveau: MAX.
- Commande de niveau de sortie: MAX.

SECTION	MESURES ET REGLAGES
A Réglage de la position de la tête Condition: * Le mode de lecture et pause	Il y a une plaque de réglage de la tête pour ajuster le contact de bande de la tête en mode de repérage avant ou arrière. 1. Appuyer sur le bouton de lecture (PLAY) et le bouton de pause. 2. Mesurer l'espace qui sépare le galet presseur du cabestan. Valeur standard: 0.5±0.3mm 3. Si la valeur mesurée se trouve hors tolérances, desserrer la vis A, et glisser la plaque de réglage de la tête dans la direction de la flèche B pour effectuer le réglage.
B Azimutage de tête Condition: * Position lecture * Mode pour bande normal Equipement: * Voltmètre électronique * Oscilloscope * Bande étalon...QZZCFM	Réglage de la tête d'enregistrement/lecture 1. Branchez les appareils comme ci-dessous (Voir Fig. 32). 2. Lisez la bande étalon d'azimutage (QZZCFM, 8kHz). 3. Réglez la vis d'orientation (B) Fig. 33 de la tête d'enregistrement/lecture pour obtenir le niveau maximal à la sortie LINE OUT. 4. Mesurez les deux canaux, et ajustez les niveaux à égalité de tension de sortie. 5. Après réglage, bloquez la vis par une goutte de vernis.

SECTION	MESURES ET REGLAGES
C Vitesse de défilement Condition: * Position lecture * Mode pour bande normal Equipement: * Compteur électronique numérique ou fréquencemètre numérique * Bande étalon...QZZCWAT	Précision de la vitesse de défilement 1. Branchez les appareils comme ci-dessous. (Voir Fig. 34). 2. Lisez la bande étalon (QZZCWAT, 3000Hz) et appliquez le signal de sortie au fréquencemètre. 3. Mesurez sa fréquence. 4. Sur la base de 3000Hz, déterminez la valeur à l'aide de la formule. $\text{Précision de vitesse} = \frac{f - 3000}{3000} \times 100(\%)$ avec f = valeur mesurée. 5. Effectuez la mesure sur la partie médiane de la bande. <div style="border: 1px solid black; padding: 2px; width: fit-content; margin: 5px auto;">Valeur normale: ±1.5%</div> Méthode de réglage 1. Lisez la bande étalon (milieu). 2,3. Ajustez la vis de réglage de vitesse VR indiquée Fig. 25 pour que la fréquence devienne égale à 3000Hz. Eluctuations de vitesse de défilement Faites les mesures de la même façon que ci-dessus (au début, au milieu et en fin de bande) et déterminez la différence entre les valeurs maximale et minimale, puis calculez comme suit. $\text{Fluctuations de vitesse} = \frac{f_1 - f_2}{3000} \times 100(\%)$ f ₁ = valeur maximale f ₂ = valeur minimale <div style="border: 1px solid black; padding: 2px; width: fit-content; margin: 5px auto;">Valeur normale: 1%</div>
D Réponse en fréquence à la lecture Condition: * Position lecture * Mode pour bande normal Equipement: * Voltmètre électronique * Oscilloscope * Bande étalon...QZZCFM	1. Branchez les appareils de mesure comme pour "l'azimutage de tête", mais en utilisant la bande étalon (QZZCFM) au lieu de la bande étalon d'azimutage (Voir Fig. 32). 2. Placez l'appareil en position lecture. 3. Lisez la bande étalon de courbe de réponse (QZZCFM). 4. Mesurez les niveaux de sortie à 315Hz, 12.5kHz, 8kHz, 250Hz, 125Hz et 63Hz et comparez chaque niveau de sortie avec celui de la fréquence étalon de 315Hz, sur la borne LINE OUT. 5. Effectuez la mesure sur les deux canaux. 6. Vérifiez que les valeurs mesurées se situent à l'intérieur du gabarit de courbe de réponse. (Voir Fig. 26).
E Gain à la lecture Condition: * Position lecture * Mode pour bande normal Equipement: * Voltmètre électronique * Oscilloscope * Bande étalon...QZZCFM	1. Branchez les appareils comme ci-dessous. (Voir Fig. 32). 2. Lisez la partie "niveau standard" de la bande étalon (QZZCFM, 315Hz) et mesurez le niveau de sortie, avec le voltmètre électronique, sur le jack LINE OUT. 3. Effectuez les mesures sur les deux canaux. <div style="border: 1px solid black; padding: 2px; width: fit-content; margin: 5px auto;">Valeur normale: Autour de 0.7V</div> Réglage 1. Si la valeur mesurée n'est pas correct, réglez VR1 (canal gauche) et VR2 (droit) (Voir Fig. 23). 2. Après réglage, vérifiez à nouveau la "réponse en fréquence à la lecture".
F Fuites de Prémagnétisation Condition: * Position enregistrement * Mode pour bande normal Equipement: * Voltmètre électronique * Oscilloscope	1. Branchez les appareils comme ci-dessous (voir Fig. 36). 2. Placez l'appareil en position enregistrement. 3. Réglez les bobines de la trappe L5 (canal gauche) et L6 (droit) pour que la mesure soit au minimum. (Voir Fig. 25). 4. Effectuez ce réglage pour les deux canaux.

SECTION	MESURES ET REGLAGES
G Courant d'effacement Condition: * Position enregistrement * Mode pour bande metal Equipement: * Voltmètre électronique * Oscilloscope	1. Branchez les appareils comme ci-dessous (Voir Fig. 37). 2. Placer l'appareil en mode d'enregistrement au point d'essai 9. 3. Déterminer le courant d'effacement avec la formule: $\text{Courant d'effacement (A)} = \frac{\text{Tension aux bornes de la résistance}}{1 (\Omega)}$ <div style="border: 1px solid black; padding: 2px; width: fit-content; margin: 5px auto;">Valeur normale: 95±5mA (position Metal)</div> 4. Si la valeur lue se trouve hors tolérances, réglez VR201 (canal gauche) et VR202 (canal droit) (Voir Fig. 23).
H Courbe de réponse globale Condition: * Positions enregistrement/lecture * Niveaux d'entrée normaux MIC -72±3.5dB LINE IN -24±3.5dB * Mode pour bande normal * Mode pour bande Fe-Cr * Mode pour bande CrO ₂ * Mode pour bande Metal * Commande de niveau...MAX. * Commande de niveau de sortie...MAX. Equipement: * Voltmètre électronique * Générateur AF * Atténuateur * Bande étalon vierge...QZZCRA pour type normal ...QZZCRY pour Fe-Cr ...QZZCRX pour CrO ₂ ...QZZCRZ pour Metal	Nota: Avant de mesurer et régler, vérifiez que la courbe de réponse en fréquence est correcte (pour la méthode de mesure voir le paragraphe considéré). 1. Branchez les appareils de mesure comme ci-dessous (Voir Fig. 38). 2. Mettre la cassette d'essai (QZZCRA) en position de lecture. 3. Placer l'appareil sur le mode d'enregistrement pour bande normale. 4. Appliquez un signal à 1kHz du générateur à l'atténuateur, à l'entrée LINE IN. 5. Réglez l'atténuateur pour que le niveau de sortie soit de -20dB au niveau étalon d'enregistrement. 6. A ce moment, le niveau sur LINE OUT est de -20dB. 7. Enregistrez les fréquences de 50Hz, 70Hz, 2kHz, 8kHz, 10kHz et 12kHz (14kHz pour CrO ₂ /bande Metal) à niveau constant. 8. Lisez cet enregistrement et exprimez en dB le niveau de sortie de chaque fréquence. 9. S'assurer que la valeur mesurée se trouve dans le diagramme de réponse en fréquence. 10. Changer la bande d'essai sur Fe-Cr (QZZCRY) ou Metal (QZZCRZ). 11. Placer l'appareil sur chaque mode de bande. 12. Mesurer de la même manière de l'étape 3. 13. Dans le diagramme de la réponse en fréquence, les bandes Fe-Cr, CrO ₂ et Metal montrées dans le diagramme. Réglage du courant de polarisation. 1. Branchez les appareils selon la Fig. 42. 2. Placez l'appareil en position enregistrement sur bande sur "normal" (pour bande normale). 3. Lisez la tension sur le voltmètre électronique et calculez le courant de prémagnétisation selon la formule: $\text{Courant de prémagnétisation (A)} = \frac{\text{Tension lue sur voltm. élec. (V)}}{10 (\Omega)}$ <div style="border: 1px solid black; padding: 2px; width: fit-content; margin: 5px auto;">Valeur normale: Autour de 350µA (Mode pour bande normale)</div> 4. Réglez VR201 (canal gauche) et VR202 (canal droit) (Voir Fig. 23). 5. Positionner le sélecteur de bande sur chaque mode de bande. 6. Vérifiez si la valeur mesurée correspond à la valeur normale. <div style="border: 1px solid black; padding: 2px; width: fit-content; margin: 5px auto;">Autour de 370µA (Mode pour bande Fe-Cr) Valeur normale: Autour de 440µA (Mode pour bande CrO₂) Autour de 700µA (Mode pour bande Metal)</div>

MESURES ET REGLAGES	
<p>Précision de la vitesse de défilement</p> <ol style="list-style-type: none"> 1. Branchez les appareils comme ci-dessous. (Voir Fig. 34). 2. Lisez la bande étalon (QZZCWAT, 3000Hz) et appliquez le signal de sortie au fréquencemètre. 3. Mesurez sa fréquence. 4. Sur la base de 3000Hz, déterminez la valeur à l'aide de la formule. $\text{Précision de vitesse} = \frac{f-3000}{3000} \times 100(\%)$ <p>avec f = valeur mesurée.</p> <ol style="list-style-type: none"> 5. Effectuez la mesure sur la partie médiane de la bande. <p style="text-align: center;">Valeur normale: ±1.5%</p> <p>Méthode de réglage</p> <ol style="list-style-type: none"> 1. Lisez la bande étalon (milieu). 2,3. Ajustez la vis de réglage de vitesse VR indiquée Fig. 25 pour que la fréquence devienne égale à 3000Hz. <p>Fluctuations de vitesse de défilement</p> <p>Faites les mesures de la même façon que ci-dessus (au début, au milieu et en fin de bande) et déterminez la différence entre les valeurs maximale et minimale, puis calculez comme suit.</p> $\text{Fluctuations de vitesse} = \frac{f_1-f_2}{3000} \times 100(\%)$ <p>f₁ = valeur maximale f₂ = valeur minimale</p> <p style="text-align: center;">Valeur normale: 1%</p>	
<ol style="list-style-type: none"> 1. Branchez les appareils de mesure comme pour "l'azimutage de tête", mais en utilisant la bande étalon (QZZCFM) au lieu de la bande étalon d'azimutage (Voir Fig. 32). 2. Placez l'appareil en position lecture. 3. Lisez la bande étalon de courbe de réponse (QZZCFM). 4. Mesurez les niveaux de sortie à 315Hz, 12.5kHz, 8kHz, 250Hz, 125Hz et 63Hz et comparez chaque niveau de sortie avec celui de la fréquence étalon de 315Hz, sur la borne LINE OUT. 5. Effectuez la mesure sur les deux canaux. 6. Vérifiez que les valeurs mesurées se situent à l'intérieur du gabarit de courbe de réponse. (Vori Fig. 26). <p style="text-align: center;">Valeur normale: Autour de 0.7V</p> <p>Réglage</p> <ol style="list-style-type: none"> 1. Si la valeur mesurée n'est pas correct, réglez VR1 (canal gauche) et VR2 (droit) (Voir Fig. 23). 2. Après réglage, vérifiez à nouveau la "réponse en fréquence à la lecture". 	
<ol style="list-style-type: none"> 1. Branchez les appareils comme ci-dessous (voir Fig. 36). 2. Placez l'appareil en position enregistrement. 3. Réglez les bobines de la trappe L5 (canal gauche) et L6 (droit) pour que la mesure soit au minimum. (Voir Fig. 25). 4. Effectuez ce réglage pour les deux canaux. 	

SECTION	MESURES ET REGLAGES
<p>Ⓒ Courant d'effacement</p> <p>Condition:</p> <ul style="list-style-type: none"> * Position enregistrement * Mode pour bande metal <p>Equipement:</p> <ul style="list-style-type: none"> * Voltmètre électronique * Oscilloscope 	<ol style="list-style-type: none"> 1. Branchez les appareils comme ci-dessous (Voir Fig. 37). 2. Placer l'appareil en mode d'enregistrement et mesurer la tension au point d'essai 9. 3. Déterminer le courant d'effacement avec la formule suivante. $\text{Courant d'effacement (A)} = \frac{\text{Tension aux bornes de la résistance R401 (V)}}{1 (\Omega)}$ <p style="text-align: center;">Valeur normale: 95±5mA (position Metal)</p> <ol style="list-style-type: none"> 4. Si la valeur lue se trouve hors tolérances, régler VR203.
<p>Ⓓ Courbe de réponse globale</p> <p>Condition:</p> <ul style="list-style-type: none"> * Positions enregistrement/lecture * Niveaux d'entrée normaux MIC -72±3.5dB LINE IN -24±3.5dB * Mode pour bande normal * Mode pour bande Fe-Cr * Mode pour bande CrO₂ * Mode pour bande Metal * Commande de niveau ...MAX. * Commande de niveau de sortie...MAX. <p>Equipement:</p> <ul style="list-style-type: none"> * Voltmètre électronique * Générateur AF * Atténuateur * Bande étalon vierge ...QZZCRA pour type normal ...QZZCRY pour Fe-Cr ...QZZCRX pour CrO₂ ...QZZCRZ pour Metal 	<p>Nota:</p> <p>Avant de mesurer et régler, vérifiez que la courbe de réponse en lecture est correct (pour la méthode de mesure, reportez-vous au paragraphe considéré).</p> <ol style="list-style-type: none"> 1. Branchez les appareils de mesure comme sur la Fig. 38. 2. Mettre la cassette d'essai (QZZCRA) en place dans le support de la cassette. 3. Placer l'appareil sur le mode d'enregistrement et sur le mode pour bande normale. 4. Appliquez un signal à 1kHz du générateur AF, à travers l'atténuateur, à l'entrée LINE IN. 5. Réglez l'atténuateur pour que le niveau d'entrée soit inférieur de -20dB au niveau étalon d'enregistrement. 6. A ce moment, le niveau sur LINE OUT est de 0.07V. 7. Enregistrez les fréquences de 50Hz, 70Hz, 600Hz, 1kHz, 2kHz, 8kHz, 10kHz et 12kHz (14kHz pour band Fe-Cr/bande CrO₂/bande Metal) à niveau constant. 8. Lisez cet enregistrement et exprimez en dB les différences entre le niveau de sortie de chaque fréquence et le niveau à 1kHz. 9. S'assurer que la valeur mesurée se trouve dans la plage spécifiée dans le diagramme de réponse en fréquences générale. 10. Changer la bande d'essai sur Fe-Cr (QZZCRY), CrO₂ (QZZCRX) ou Metal (QZZCRZ). 11. Placer l'appareil sur chaque mode de bande. 12. Mesurer de la même manière de l'étape 3. à l'étape 8. 13. Dans le diagramme de la réponse en fréquences totale pour les bandes Fe-Cr, CrO₂ et Metal montré dans les figures 31. <p>Réglage du courant de polarisation.</p> <ol style="list-style-type: none"> 1. Branchez les appareils selon la Fig. 42. 2. Placez l'appareil en position enregistrement, le sélecteur de bande sur "normal" (pour bande normale). 3. Lisez la tension sur le voltmètre électronique et calculez le courant de prémagnétisation selon la formule. $\text{Courant de prémagnétisation (A)} = \frac{\text{Tension lue sur voltm. élec. (V)}}{10 (\Omega)}$ <p style="text-align: center;">Valeur normale: Autour de 350µA (Mode pour bande normal)</p> <ol style="list-style-type: none"> 4. Réglez VR201 (canal gauche) et VR202 (canal droit). 5. Positionner le sélecteur de bande sur chaque position. 6. Vérifiez si la valeur mesurée correspond à la norme. <p style="text-align: center;">Valeur normale: Autour de 370µA (Mode pour bande Fe-Cr) Autour de 440µA (Mode pour bande CrO₂) Autour de 700µA (Mode pour bande Metal)</p>

SECTION	MESURES ET REGLAGES
<p>Ⓔ Gain global</p> <p>Condition:</p> <ul style="list-style-type: none"> * Positions enregistrement/lecture * Commande de niveau ...MAX. * Commande de niveau de sortie...MAX. * Niveaux d'entrée normaux MIC -72±3.5dB LINE IN -24±3.5dB <p>Equipement:</p> <ul style="list-style-type: none"> * Générateur AF * Voltmètre électronique * Atténuateur * Oscilloscope * Résistance (600Ω) * Bande étalon vierge QZZCRA pour type de bande normale 	<ol style="list-style-type: none"> 1. Branchez les appareils comme sur la Fig. 38. 2. Placer l'appareil sur le mode d'enregistrement et sur le mode pour bande normale. 3. Appliquez un signal à 1kHz (-24dB) du générateur AF, à travers l'atténuateur, à l'entrée LINE IN. 4. Réglez l'atténuateur pour que le niveau d'écoute simultanée sur LINE OUT soit de 0.7V. 5. Faites un enregistrement avec la bande étalon (QZZCRA). 6. Lisez la bande ainsi enregistrée, et vérifiez que la valeur lue sur le voltmètre électronique branché sur LINE OUT est bien de 0.7V. 7. Si la valeur mesurée est différente, réglez VR5 (canal gauche) et VR6 (droit) (Voir Fig. 23). 8. Recommencez à partir du palier (2).
<p>Ⓕ Indicateur de niveau</p> <p>Condition:</p> <ul style="list-style-type: none"> * Position enregistrement * Commande de niveau ...MAX. * Commande de niveau de sortie...MAX. <p>Equipement:</p> <ul style="list-style-type: none"> * Voltmètre électronique * Générateur AF * Atténuateur * Résistance (600Ω) 	<ol style="list-style-type: none"> 1. Branchez les appareils comme sur la Fig. 38. 2. Comme il est montré à la Fig. 43, le branchement de la base de Q302 à la terre arrête les oscillations du multivibrateur instable comprenant Q302 et Q303. 3. Alimenter d'un 1kHz (-24dB) a la fiche "LINE IN", puis pousser le bouton d'enregistrement. 4. Régler le ATT de telle façon à ce que le niveau de sortie à la fiche "LINE OUT" devienne 0.7V (Le niveau d'entrée à cette position est nommé le niveau d'entrée standard). 5. Réglage au "-20dB". <ol style="list-style-type: none"> A. Réglez l'atténuateur pour que le niveau d'entrée soit inférieur de -20dB au niveau étalon d'enregistrement. B. Réglez VR9 de tel façon que le segment de -20dB s'allume dans la zone de -20dB±0.8dB. (L-CH seulement) (Voir Fig. 44). 6. Réglage au "0dB". <ol style="list-style-type: none"> A. Régler le ATT de telle façon à ce que le niveau de sortie à la fiche "LINE OUT" devienne 0.7V. B. Réglez VR10 de tel façon que le segment de +1dB s'allume dans la zone de 0±0.2dB du niveau d'entrée standard (Voir Fig. 45). 7. Répéter deux fois les étapes 5 à 6 ci-dessus. 8. Réglez l'ATT et vérifiez si tous les segments s'allument quand le niveau d'un signal d'entrée est augmenté de 10dB au dessus du niveau d'entrée standard (Voir Fig. 46).
<p>Ⓖ Circuit Dolby</p> <p>Condition:</p> <ul style="list-style-type: none"> * Position enregistrement * Commande de niveau LINE IN...MAX. <p>Equipement:</p> <ul style="list-style-type: none"> * Voltmètre électronique * Générateur AF * Atténuateur * Oscilloscope * Résistance (600Ω) 	<ol style="list-style-type: none"> 1. Placez l'appareil en position enregistrement et le sélecteur Dolby en position OUT, puis appliquez un signal à 5kHz à l'entrée LINE IN pour obtenir -34.5dB sur TP9 (canal gauche) et TP8 (droit). 2. Vérifiez que la valeur en position IN du sélecteur Dolby augmente de 8 (±2.5)dB par rapport à celle obtenue en position OUT.

RS-M04 DEUTSCH

Messungen und Einstellungen

Anm. 1:

Die Bandgeschwindigkeit kann mit einem Schraubenzieher (aus Kunststoff) durch die kleine Öffnung in der Rückseite des Hauptgehäuses eingestellt werden. (Siehe untenstehende Zeichnung Fig. 25.)

Anm. 2: Band Schalter

Dieses Gerät ist mit einem automatischen Bandsortenwähler ausgerüstet. Wie aus Fig. 26 ersichtlich, wählt dieser Mechanismus mit Hilfe des Bandkennzeichnungslochs in der Cassette automatisch die richtige Schaltung für Metall-, CrO₂- und Normalband aus. Einige Test-Cassetten sind jedoch nicht mit solchen Bandkennzeichnungslochern ausgestattet.

Je nach Art der Cassette sind daher folgende Schritte auszuführen, wenn bei der Messung und Einstellung die Schaltung für Metall-, CrO₂-, FeCr- oder Normalbänder umgeschaltet werden muß.

○ Umschalten auf Betriebsart „Metallband“:

- Falls die Cassette ein Bandkennzeichnungsloch für Metallband hat, den Bandsortenwähler an der Geräterückseite auf „Automatik“ stellen (Fig. 27)
- Falls die Cassette nicht mit dem Bandkennzeichnungsloch für Metallband ausgestattet ist, den Bandsortenwähler auf „Metallband-manuell“ stellen (Fig. 28).

○ Umschalten auf Betriebsart „Normalband“:

- Den Bandsortenwähler an der Geräterückseite auf „Automatik“ stellen (Fig. 27).

○ Umschalten auf Betriebsart „Fe-Cr band“:

- Den Bandsortenwähler an der Geräterückseite auf „Fe-Cr band-manuell“ stellen (Fig. 29).

○ Umschalten auf Betriebsart „CrO₂ band“:

- Falls die Cassette ein Bandkennzeichnungsloch für CrO₂ band hat, den Bandsortenwähler an der Geräterückseite auf „Automatik“ stellen (Fig. 27)..
- Falls die Cassette nicht mit dem Bandkennzeichnungsloch für CrO₂-Band ausgestattet ist, den Bandsortenwähler auf „Automatik“ stellen, die 6-poligen Steckbuchse (H) herausziehen und den Anschluß der 6-poligen post (H) kurzschließen. (Siehe Fig. 20 und 30) Dann ist die Schaltung auf ein CrO₂-Band eingestellt.

Anm. 3:

Für gute Meßbedingungen sorgen. Falls nicht anders angegeben, die Schalter und Regler in folgende Positionen stellen.

- Für saubere Köpfe sorgen.
- Für saubere Tonwelle und Andruckrolle sorgen.
- Auf normale Raumtemperatur achten: 20±5°C.

- Dolby-Schalter: Aus.
- Band Schalter: Automatikstellung.
- Eingangsregler: MAX.
- Ausgangsregler: MAX.

Gegenstand	Messung und Einstellung
Ⓐ Tonkopf-Positionierung Bedingung * Wiedergabe und Pause	Die Tonkopf-Positionierplatte dient zum Einstellen des Kontakts zwischen Tonkopf und Band während der Betriebszustände „Cue“ und „Review“. <ol style="list-style-type: none"> Die Wiedergabetaste und die Pausetaste drücken. Den Abstand zwischen der Andruckrolle und der Tonwelle messen. Sollwert: 0,5±0,3mm Falls der Meßwert außerhalb des Toleranzbereichs liegt, die Schraube A lösen und die Tonkopf-Positionierplatte in Pfeilrichtung B schieben, um den Kopfkontakt einzustellen.

Gegenstand	Messung und Einstellung
Ⓑ Senkrechtstellen des Kopfes Bedingung * Wiedergabe * Betriebsart „Normal band“ Meßgerät: * Röhrenvoltmeter * Oszillograf * Testband...QZZCFM	Justage des Aufnahme/Wiedergabekopfes <ol style="list-style-type: none"> Den Meßaufbau zeigt Fig. 32. Testband (QZZCFM, 8kHz) wiedergeben. Einstellschraube (B) (Fig. 33) auf maximale Ausgangsspannung einstellen. Beide Kanäle überprüfen und auf gleiche Ausgangsspannung einstellen. Nach dem Abgleich Einstellschraube mit Lack sichern.
Ⓒ Bandgeschwindigkeit Bedingung * Wiedergabe * Betriebsart „Normalband“ Meßgerät: * Elektronischer Digitalzähler * Testband...QZZCWAT	Genauigkeit der Bandgeschwindigkeit <ol style="list-style-type: none"> Den Meßaufbau zeigt Fig. 34. Testband (QZZCWAT 3000Hz) wiedergeben und Ausgangssignal dem Zähler zuführen. Frequenz messen. Beträgt die auf dem Testband aufgezeichnete Frequenz 3000Hz, so ergibt sich die Genauigkeit nach folgender Formel: Genauigkeit der Bandgeschwindigkeit = $\frac{f-3000}{3000} \times 100(\%)$ worin f die gemessene Frequenz ist. Die Messung soll im mittleren Teil des Bandes erfolgen. <p style="text-align: center;">NORMALWERT: ±1,5%</p> <p>Einstellung:</p> <ol style="list-style-type: none"> Den mittleren Teil des Testbandes wiedergeben. Die Einstellschraube VR Vgl Fig. 25 so verstellen, daß eine Frequenz von 3000Hz angezeigt wird. <p>Schwankung der Bandgeschwindigkeit:</p> <p>Messung, wie oben beschrieben für Anfang, mittleren Teil und Ende des Testbandes wiederholen und Schwankung wie folgt bestimmen:</p> $\text{Schwankung} = \frac{f_1 - f_2}{3000} \times 100(\%)$ <p style="text-align: center;">f₁ = Maximalwert f₂ = Minimalwert</p> <p style="text-align: center;">NORMALWERT: 1%</p>
Ⓓ Frequenzgang bei Wiedergabe Bedingung * Wiedergabe * Betriebsart „Normalband“ Meßgerät: * Röhrenvoltmeter * Oszillograf * Testband...QZZCFM	<ol style="list-style-type: none"> Den Meßaufbau zeigt Fig. 32, jedoch ist jetzt das Testband QZZCFM zu verwenden. Gerät auf "wiedergabe" schalten. Frequenzgang-Testband QZZCFM wiedergeben. Ausgangsspannungen bei 315kHz, 12,5kHz, 8kHz, 250Hz, 125Hz und 63Hz mit Ausgangsspannung der Standard Frequenz 315Hz vergleichen. Messungen an beiden Kanälen durchführen. Prüfen, ob die Werte innerhalb der in Fig. 26 dargestellten Kurven liegen.
Ⓔ Wiedergabe-Verstärkung Bedingung * Wiedergabe * Betriebsart „Normalband“ Meßgerät: * Röhrenvoltmeter * Oszillograf * Testband...QZZCFM	<ol style="list-style-type: none"> Den Meßaufbau zeigt Fig. 32. Standard-Frequenz (QZZCFM 315Hz) vom Testband wiedergeben und Ausgangsspannung messen. Messung an beiden Kanälen durchführen. <p style="text-align: center;">NORMALWERT: Ungefähr 0,7V</p> <p>Einstellung:</p> <ol style="list-style-type: none"> Abweichungen können durch Abgleich von VR1 (Linker Kanal) und VR2 (Rechter Kanal) (S. Fig. 23) korrigiert werden. Nach erfolgtem Abgleich ist der Frequenzgang bei Wiedergabe erneut zu kontrollieren.

Gegenstand	Messung und Einstellung
Ⓕ Störstrahlung der Vormagnetisierung Bedingung * Aufnahme * Betriebsart „Metalband“ Meßgerät: * Elektronisches Voltmeter * Oszillograf	<ol style="list-style-type: none"> Den Meßaufbau zeigt Fig. 36. Gerät auf Aufnahme schalten. Sperrkreisspulen L5 (Linker Kanal) und L6 (Rechter Kanal) abgleichen daß der Meßwert minimal ist. Beide Kanäle abgleichen.
Ⓖ Löschstrom Bedingung: * Aufnahme * Betriebsart „Metalband“ Meßgerät: * Röhrenvoltmeter * Oszillograf	<ol style="list-style-type: none"> Den Meßaufbau zeigt Fig. 37. Gerät auf Aufnahme schalten und Spannung ablesen. Löschstrom nach folgender Formel berechnen: $\text{Löschstrom (A)} = \frac{\text{Die Spannung über beide Kanäle}}{10}$ <p style="text-align: center;">NORMALWERT: 95±5mA (Metallband)</p> Abweichungen können durch Abgleich von VR1 und VR2 korrigiert werden.
Ⓗ Gesamt-frequenzgang Bedingung * Aufnahme und Wiedergabe * Eingangsregler...MAX. * Ausgangsregler...MAX. * Standard-Eingangsspegel Mikrofon -72±3,5dB * NF-Eingang -24±3,5dB * Betriebsart "Normal band" * Betriebsart "CrO ₂ band" * Betriebsart "Fe-Cr band" * Betriebsart "Metalband" Meßgerät: * Röhrenvoltmeter * NF-Generator * Abschwächer * Widerstand (600Ω) * Testband (Leerbänd) * QZZCRA für Normal * QZZCRX für CrO ₂ * QZZCRY für Fe-Cr * QZZCRZ für Metal	<p>Anm.:</p> <p>Vor Messung und Abgleich des Gesamt-frequenzgangs, den Frequenzgang bei Aufnahme und Wiedergabe (Vgl. entspr. Abschnitt).</p> <ol style="list-style-type: none"> Den Meßaufbau zeigt Fig. 38. Testband (QZZCRA) in das Cassette-Gehäuse einsetzen. Auf Aufnahme und Bandsorte „Normalband“ einstellen. 1kHz vom NF-Generator über den NF-Eingang zuführen. Den Abschwächer so einstellen, daß der Pegel -20dB des Standard-Aufnahmepegels beträgt. Zu diesem Zeitpunkt beträgt der Ausgangspegel -20dB. Bei dem gleichen Pegel sind die Frequenzen 600Hz, 1kHz, 2kHz, 8kHz, 10kHz und 125Hz aufzuzeichnen (Normalband, Metalband oder Fe-Cr band). Diese Aufnahme wiedergeben und den Pegel der einzelnen Frequenzen bestimmen. Überprüfen, ob der Meßwert innerhalb des in Fig. 39 angegebenen Bereichs liegt. Nacheinander das Fe-Cr Testband (QZZCRX) und das Metal-Testband (QZZCRZ) einsetzen. Das Gerät nacheinander auf alle Betriebsarten einstellen. Bei der Messung von Schritt 3 bis 8 vorgehen. Überzeugen Sie sich, ob der gemessene Frequenzgang im Bereich des in Fig. 39 angegebenen Bereichs liegt. (Siehe Diagramm von Fe-Cr, CrO₂ und Metal band, Fig. 39) <p>Abgleich mit Vormagnetisierungsstrom:</p> <ol style="list-style-type: none"> Wenn der Frequenzgang zwischen Aufnahme und Wiedergabe höher als der Standard-Frequenzgang ist, die Einstellung durchführen, die durch die feste Linie in Fig. 40 angezeigt ist. Wenn er niedriger wird, wie durch die gestrichelte Linie in Fig. 40 angezeigt ist, die Einstellung durchführen, die durch die gestrichelte Linie in Fig. 40 angezeigt ist. <p>Einstellung des Vormagnetisierungsstroms:</p> <ol style="list-style-type: none"> Den Meßaufbau zeigt Fig. 42. Gerät auf "Aufnahme" und Bandwähler auf "Metalband" schalten. Spannung vom Röhrenvoltmeter ablesen und Vormagnetisierungsstrom nach folgender Formel berechnen: $\text{Vormagnetisierungsstrom (A)} = \frac{\text{Spannung am Röhrenvoltmeter}}{10}$ <p style="text-align: center;">NORMALWERT: Ungefähr 350µA</p>

	Messung und Einstellung
les band"	<p>Justage des Aufnahme/Wiedergabekopfes</p> <ol style="list-style-type: none"> Den Meßaufbau zeigt Fig. 32. Testband (QZZCFM, 8kHz) wiedergeben. Einstellschraube (B) (Fig. 33) auf maximale Ausgangsspannung einstellen. Beide Kanäle überprüfen und auf gleiche Ausgangsspannung einstellen. Nach dem Abgleich Einstellschraube mit Lack sichern.
zeit band"	<p>Genauigkeit der Bandgeschwindigkeit</p> <ol style="list-style-type: none"> Den Meßaufbau zeigt Fig. 34. Testband (QZZCWAT 3000Hz) wiedergeben und Ausgangssignal dem Zähler zuführen. Frequenz messen. Beträgt die auf dem Testband aufgezeichnete Frequenz 3000Hz, so ergibt sich die Genauigkeit nach folgender Formel: Genauigkeit der Bandgeschwindigkeit = $\frac{f-3000}{3000} \times 100(\%)$ worin f die gemessene Frequenz ist. Die Messung soll im mittleren Teil des Bandes erfolgen. <p>NORMALWERT: ±1,5%</p> <p>Einstellung:</p> <ol style="list-style-type: none"> Den mittleren Teil des Testbandes wiedergeben. 3. Die Einstellschraube VR Vgl Fig. 25 so verstellen, daß eine Frequenz von 3000Hz angezeigt wird. <p>Schwankung der Bandgeschwindigkeit:</p> <p>Messung, wie oben beschrieben für Anfang, mittleren Teil und Ende des Testbandes wiederholen und Schwankung wie folgt bestimmen:</p> $\text{Schwankung} = \frac{f_1 - f_2}{3000} \times 100(\%)$ <p>f₁ = Maximalwert f₂ = Minimalwert</p> <p>NORMALWERT: 1%</p>
and"	<ol style="list-style-type: none"> Den Meßaufbau zeigt Fig. 32, jedoch ist jetzt das Testband QZZCFM zu verwenden. Gerät auf "wiedergabe" schalten. Frequenzgang-Testband QZZCFM wiedergeben. Ausgangsspannungen bei 315kHz, 12,5kHz, 8kHz, 250Hz, 125Hz und 63Hz mit Ausgangsspannung der Standard Frequenz 315Hz vergleichen. Messungen an beiden Kanälen durchführen. Prüfen, ob die Werte innerhalb der in Fig. 26 dargestellten Kurven liegen.
rkung and"	<ol style="list-style-type: none"> Den Meßaufbau zeigt Fig. 32. Standard-Frequenz (QZZCFM 315Hz) vom Testband wiedergeben und Ausgangsspannung messen. Messung an beiden Kanälen durchführen. <p>NORMALWERT: Ungefähr 0,7V</p> <p>Einstellung:</p> <ol style="list-style-type: none"> Abweichungen können durch Abgleich von VR1 (Linker Kanal) und VR2 (Rechter Kanal) (S. Fig. 23) korrigiert werden. Nach erfolgtem Abgleich ist der Frequenzgang bei Wiedergabe erneut zu kontrollieren.

Gegenstand	Messung und Einstellung
<p>Ⓔ Störstrahlung der Vormagnetisierung</p> <p>Bedingung</p> <ul style="list-style-type: none"> Aufnahme Betriebsart „Metalband“ <p>Meßgerät:</p> <ul style="list-style-type: none"> Elektronisches Voltmeter Oszillograf 	<ol style="list-style-type: none"> Den Meßaufbau zeigt Fig. 36. Gerät auf Aufnahme schalten. Sperrkreisspulen L5 (Linker Kanal) und L6 (Rechter Kanal) so abgleichen daß der Meßwert minimal wird. (S. Fig. 25). Beide Kanäle abgleichen.
<p>Ⓒ Löschstrom</p> <p>Bedingung:</p> <ul style="list-style-type: none"> Aufnahme Betriebsart „Metalband“ <p>Meßgerät:</p> <ul style="list-style-type: none"> Röhrenvoltmeter Oszillograf 	<ol style="list-style-type: none"> Den Meßaufbau zeigt Fig. 37. Gerät auf Aufnahme schalten und Spannung am Meßpunkt 9 ablesen. Löschstrom nach folgender Formel ermitteln: Löschstrom (A) = $\frac{\text{Die Spannung über beide Enden von R206}}{1(\Omega)}$ <p>NORMALWERT: 95±5mA (Metal position)</p> <ol style="list-style-type: none"> Abweichungen können durch Abgleich von VR203 korrigiert werden.
<p>Ⓓ Gesamt-frequenzgang</p> <p>Bedingung</p> <ul style="list-style-type: none"> Aufnahme und Wiedergabe Eingangsregler...MAX. Ausgangsregler...MAX. Standard-Eingangspiegel Mikrofon -72±3,5dB NF-Eingang -24±3,5dB Betriebsart "Normal band" Betriebsart "CrO₂ band" Betriebsart "Fe-Cr band" Betriebsart "Metalband" <p>Meßgerät:</p> <ul style="list-style-type: none"> Röhrenvoltmeter NF-Generator Abschwächer Widerstand (600Ω) Testband (Leerbund) QZZCRA für Normal QZZCRX für CrO₂ QZZCRY für Fe-Cr QZZCRZ für Metal 	<p>Anm.: Vor Messung und Abgleich des Gesamtfrequenzganges ist sicherzustellen, daß der Frequenzgang bei Wiedergabe korrekt ist (Vgl. entspr. Abschnitt).</p> <ol style="list-style-type: none"> Den Meßaufbau zeigt Fig. 38. Testband (QZZCRA) in das Cassettenfach einsetzen. Auf Aufnahme und Bandsorte „Normalband“ schalten. 1kHz vom NF-Generator über den Abschwächer dem NF-Eingang zuführen. Den Abschwächer so einstellen, daß der Eingangspegel -20dB des Stand-Aufnahmepegels betrage. Zu diesem Zeitpunkt beträgt der Ausgangspegel 0,07V. Bei dem gleichen Pegel sind die Frequenzen 50Hz, 70Hz, 600Hz, 1kHz, 2kHz, 8kHz, 10kHz und 12kHz (14kHz für CrO₂ band, Metalband oder Fe-Cr band) aufzunehmen. Diese Aufnahme wiedergeben und dabei die Abweichungen der Pegel der einzelnen Frequenzen vom 1kHz-Pegel in dB bestimmen. Überprüfen, ob der Meßwert innerhalb des Bereichs liegt, der in dem Frequenzgangdiagramm angegeben ist. Nacheinander das Fe-Cr Testband (QZZCRY), das CrO₂ Testband (QZZCRX) und das Metal-Testband (QZZCRZ) benutzen. Das Gerät nacheinander auf alle Bandsorten einstellen. Bei der Messung von Schritt 3 bis 8 auf die gleiche Weise vorgehen. Überzeugen Sie sich, ob der gemessene Wert in dem angegebenen Bereich liegt. (Siehe Diagramm für die Frequenzgänge von Fe-Cr, CrO₂ und Metal band, Fig. 31). <p>Abgleich mit Vormagnetisierungsstrom</p> <ol style="list-style-type: none"> Wenn der Frequenzgang zwischen dem mittleren und hohen Frequenzgang höher als der Standardwert wird, wie durch die feste Linie in Fig. 40 angezeigt, die Vormagnetisierungsstrom-Abstimmung durchführen. Wenn er niedriger wird, wie durch die gestrichelte Linie angezeigt, die Vormagnetisierungsstrom-Abstimmung durchführen. <p>Einstellung des Vormagnetisierungsstroms</p> <ol style="list-style-type: none"> Den Meßaufbau zeigt Fig. 42. Gerät auf "Aufnahme" und Bandwahlschalter auf "Normal" schalten. Spannung vom Röhrenvoltmeter ablesen und Vormagnetisierungsstrom nach folgender Formel berechnen: Vormagnetisierungsstrom (A) = $\frac{\text{Spannung am Röhrenvoltmeter (V)}}{10(\Omega)}$ <p>NORMALWERT: Ungefähr 350µA (Normal position)</p>

Gegenstand	Messung und Einstellung
	<ol style="list-style-type: none"> VR201 (Linker Kanal) und VR202 (Rechter Kanal) abgleichen. Den Bandsortenwähler in jede Position stellen. Überprüfen, ob der Meßwert im vorgeschriebenen Bereich liegt. <p>Ungefähr 370µA (Fe-Cr position) NORMALWERT: Ungefähr 440µA (CrO₂ position) Ungefähr 700µA (metal position)</p>
<p>Ⓘ Gesamt-Verstärkung</p> <p>Bedingung</p> <ul style="list-style-type: none"> Aufnahme und Wiedergabe Betriebsart „Normalband“ Eingangsregler...MAX. Ausgangsregler...MAX. Standard-Eingangspiegel Mikrofon -72±3,5dB NF-Eingang -24±3,5dB <p>Meßgerät:</p> <ul style="list-style-type: none"> NF-Generator Röhrenvoltmeter Abschwächer Oszillograf Widerstand (600Ω) Testband (Leerbund) QZZCRA für Normal 	<ol style="list-style-type: none"> Den Meßaufbau zeigt Fig. 38. Gerät auf "Aufnahme", und Bandwahlschalter auf Normal Position stellen. Über den Abschwächer 1kHz aus dem NF-Generator (-24dB) dem NF-Eingang zuführen. Den Abschwächer so einstellen, daß am NF-Ausgang stehen. 0,7V stehen. Dieses Signal auf Testband (QZZCRA) aufnehmen. Diese Aufnahme wiedergeben und prüfen, ob am NF-Ausgang 0,7V stehen. Ist dies nicht der Fall, so sind VR5 (Linker Kanal) und VR6 (Rechter Kanal) entsprechend abzugleichen (S. Fig. 23), Ab Punkt 2 wiederholen.
<p>Ⓢ Fluoreszenzmeter</p> <p>Bedingung</p> <ul style="list-style-type: none"> Aufnahme Eingangsregler...MAX. Ausgangsregler...MAX. <p>Meßgerät:</p> <ul style="list-style-type: none"> Röhrenvoltmeter NF-Generator Abschwächer Widerstand (600Ω) 	<ol style="list-style-type: none"> Den Meßaufbau zeigt Fig. 38. Wie aus Fig. 43, ersichtlich, hört der astabile, aus den Transistoren Q302 und Q303 bestehende Multivibrator zu schwingen auf, wenn der Base des Q302 mit Masse verbunden wird. Signal vor 1kHz (-24dB) an die Line IN-Buchse eingeben und die Aufnahmetaste drücken. ATT so abstimmen, daß der Ausgangspegel an der LINE OUT-Buchse 0,7V wird. (Der Eingangspegel in dieser Stellung wird als Standardpegel bezeichnet). Justierung auf "-20dB". A. Den Abschwächer so einstellen, daß der Eingangspegel -20dB des Stand-Aufnahmepegels betrage. B. VR9 so abgleichen, daß im Bereich von -20dB±0,8dB das Segment -20dB aufleuchtet (NUR LINKER KANAL). (S. Fig. 44). Justierung auf "0dB". A. ATT so abstimmen, daß der Ausgangspegel an der LINE OUT-Buchse, 0,7V wird. B. VR10 so abgleichen, daß im Bereich von ±0,2dB um den Standardpegel das Segment +1dB aufleuchtet (S. Fig. 45). Die Anleitungsschritte 5 bis 6 zweimal wiederholen. Die ATT einstellen; kontrollieren, ob alle Segmente aufleuchten, wenn der Eingangspegel 10dB höher als der Standardpegel ist (S. Fig. 46).
<p>Ⓚ Dolby-Schaltung</p> <p>Bedingung</p> <ul style="list-style-type: none"> Aufnahme Eingangsregler...MAX. <p>Meßgerät:</p> <ul style="list-style-type: none"> Röhrenvoltmeter NF-Generator Abschwächer Oszillograf Widerstand (600Ω) 	<ol style="list-style-type: none"> Gerät in Stellung "Aufnahme" betreiben und Dolby-Schalter ausschalten. Dem NF-Eingang ein 5kHz-Signal zuführen, daß an TP8 (Linker Kanal) und TP9 (Rechter Kanal) -34,5dB erhalten werden. Prüfen, ob das Signal bei eingeschaltetem Dolby-Schalter um 8 (±2,5)dB größer ist als bei ausgeschaltetem Dolby-Schalter.